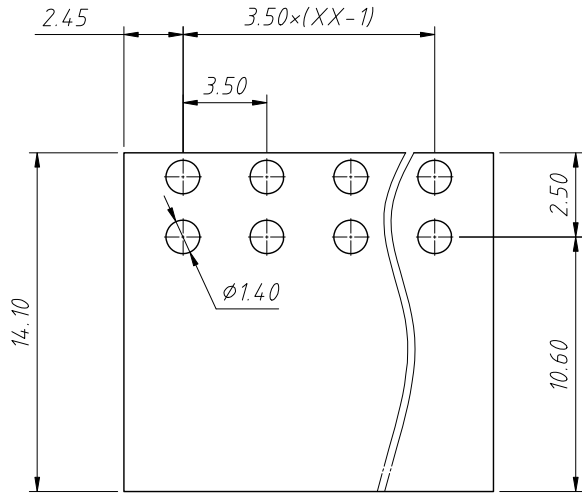
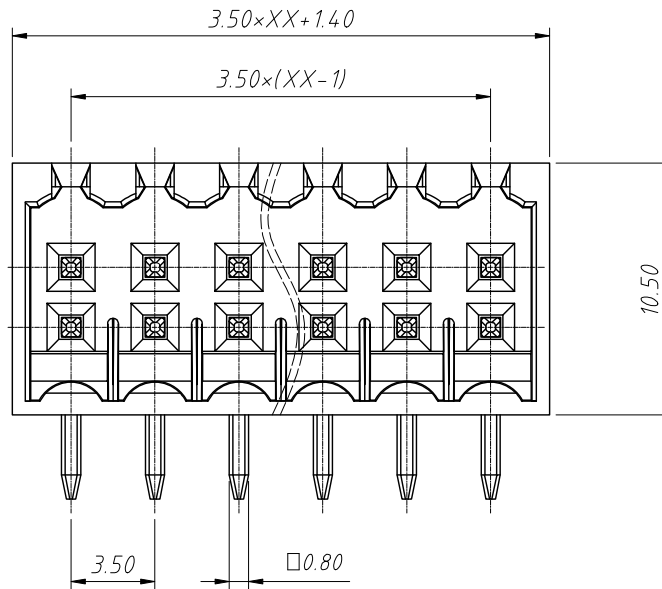


1 RoHS Compliance



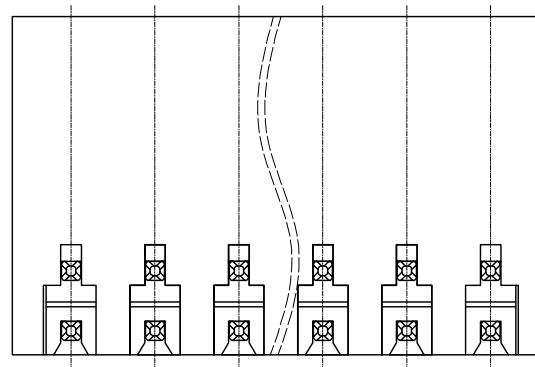
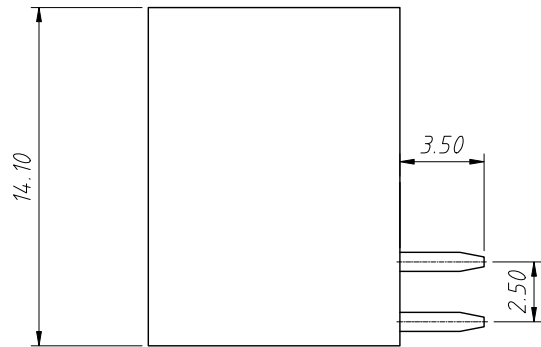
PCB LAYOUT



Material:
Insulation:LCP,UL94V-0
Contactor:Copper alloy,Sn plated

Electrical:
Rated Voltage:150V
Rated Current:7A
Withstanding Voltage:1300VAC(1min)

Mechanical:
Operating temperature:-40°C to +130°C



Order Information:
L-KLS2-THREDGRHSC-3.50-XXP-X

L: RoHS
Terminal Block
Pitch:3.50mm
No.: of 2x02 ~ 2x24 Pole
Color:
1=Gray 2=Blue 3=Black
4=Green 5=Orange 6=Red
7=Transp 8=Yellow 9=White

ANGLE TOLERANCE	PROJECTION	Description:	3.50mm Pluggable terminal block	
±3°				
GENERAL TOLERANCE	UNITS	mm	KLS P/N:	L-KLS2-THREDGRHSC-3.50-XXP-X
x.x ±0.30	SHEET SIZE	A4		
x.xx ±0.20	Draw:	Daniel	2023-05-05	NingBo KLS ELECTRONIC CO.,L TD.
x.xxx ±0.10	Check:	Daniel	2023-05-05	