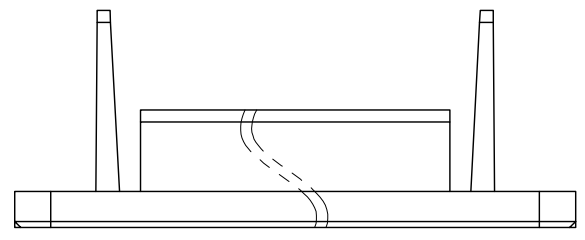
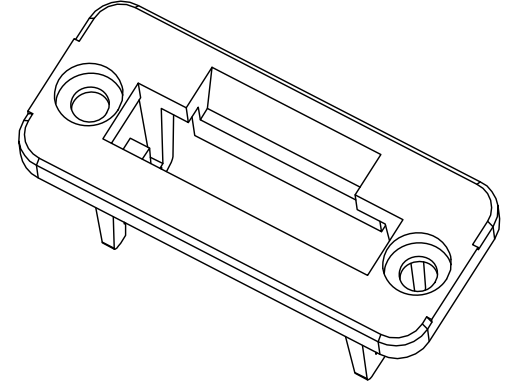
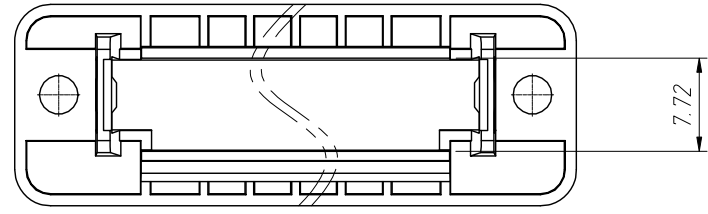


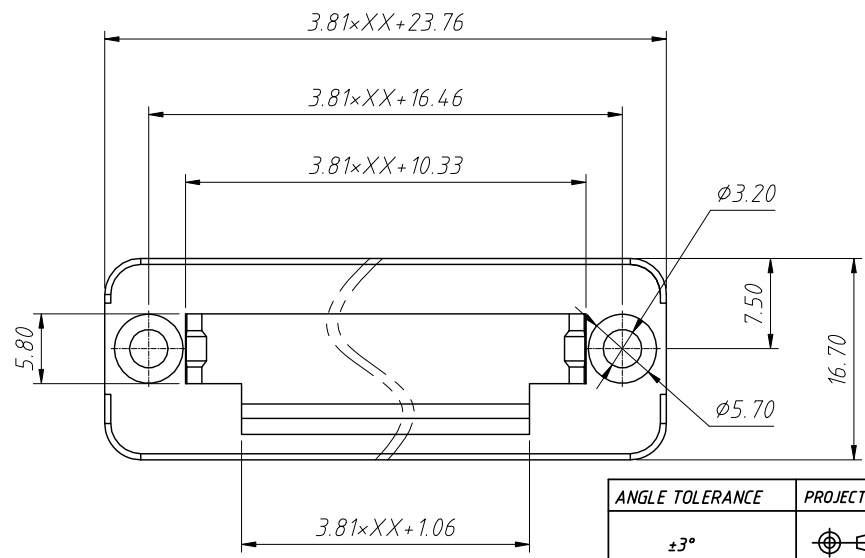
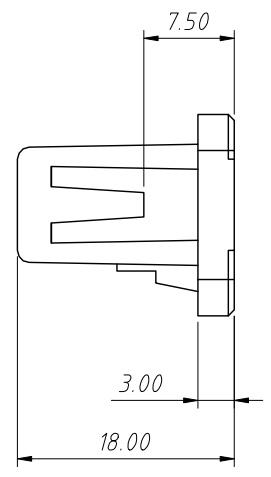
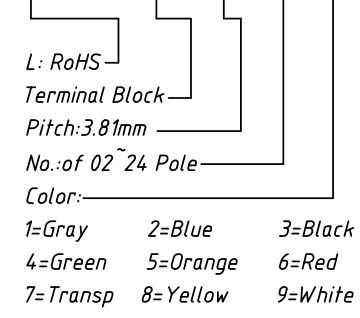
1
RoHS Compliance



Material:
Insulation: PA66, UL 94 V-0

Mechanical:
Operating temperature: -40°C to +105°C

Order Information:
L-KLS2-JM02-3.81-XXP-X



ANGLE TOLERANCE	PROJECTION	Description:	
±3°		3.81mm Pluggable terminal block	
GENERAL TOLERANCE	UNITS	mm	KLS P/N:
x.x ±0.30	SHEET SIZE	A4	L-KLS2-JM02-3.81-XXP-X
x.xx ±0.20	Draw:	Daniel	2023-05-05
x.xxx ±0.10	Check:	Daniel	2023-05-05

