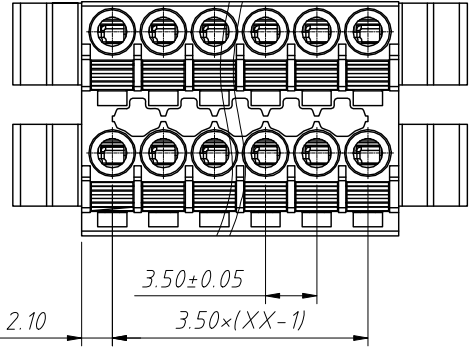


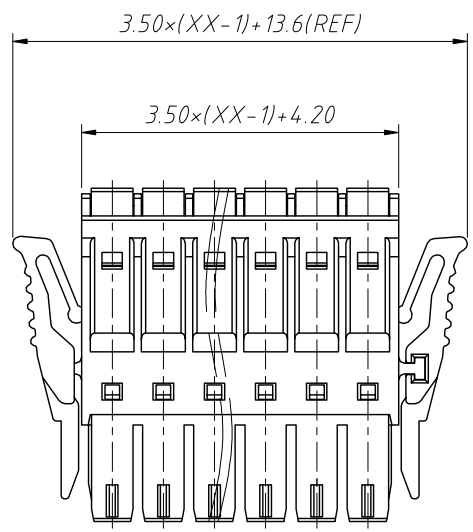
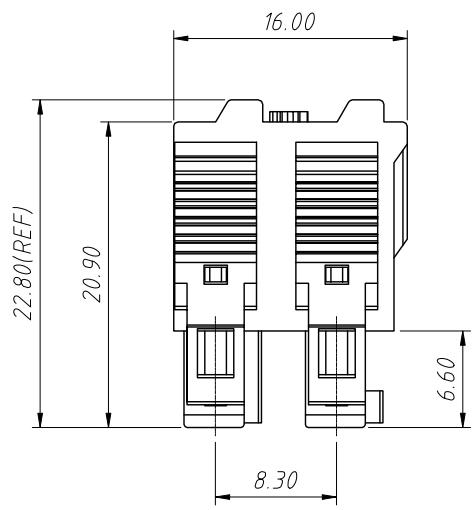
1  
RoHS Compliance



Material:  
Insulation: PA66, UL 94 V-0  
Contactors: Copper alloy, Sn plated

Electrical:  
Rated Voltage: 300V  
Rated Current: 8A  
Withstanding Voltage: 1600VAC (1min)  
Wire range: 16-24 AWG

Mechanical:  
Stripping Length: 9-10mm  
Operating temperature: -40°C to +105°C



Order Information:  
L-KLS2-FMDDY-3.50-XXP-X

L: RoHS  
Terminal Block  
Pitch: 3.50mm  
No.: of 2x02 ~ 2x24 Pole  
Color:

1=Gray 2=Blue 3=Black  
4=Green 5=Orange 6=Red  
7=Transp 8=Yellow 9=White

ANGLE TOLERANCE	PROJECTION	Description:	3.50mm Pluggable terminal block	
±3°				
GENERAL TOLERANCE	UNITS	mm	KLS P/N:	L-KLS2-FMDDY-3.50-XXP-X
x.x ±0.30	SHEET SIZE	A4		
x.xx ±0.20	Draw:	Daniel	2023-05-05	
x.xxx ±0.10	Check:	Daniel	2023-05-05	

NingBo KLS ELECTRONIC CO.,L TD.