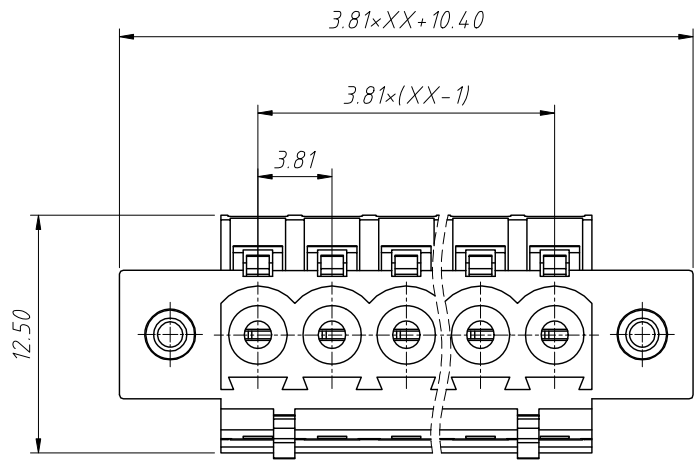


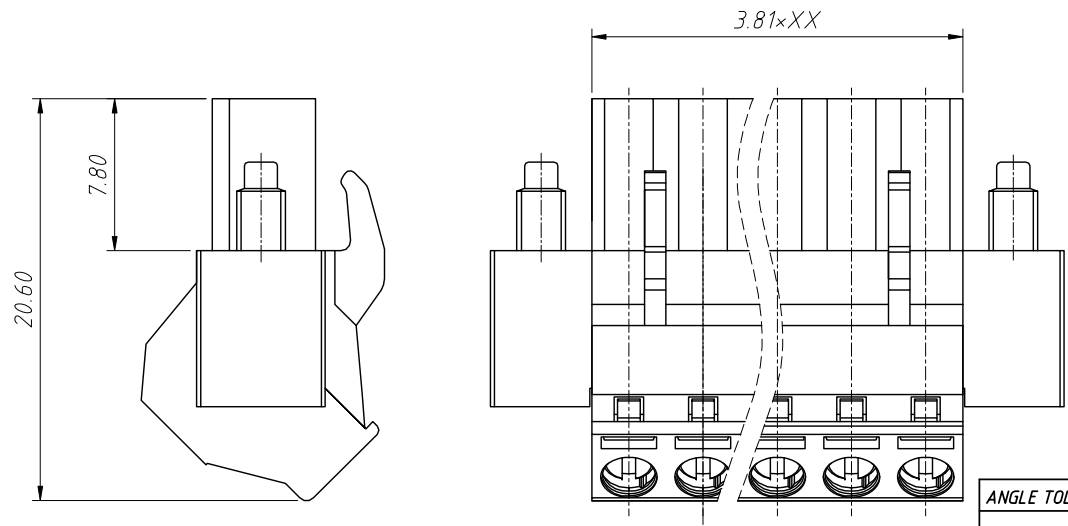
1
RoHS Compliance



Material:
Insulation: PA66, UL 94 V-0
Contactor: Copper alloy, Ni plated

Electrical:
Rated Voltage: 300V
Rated Current: 8A
Withstanding Voltage: 1600VAC (1min)

Mechanical:
Wire Range: 16-28AWG
Stripping Length: 6-7mm
Screw: M2/Torque: 0.2N.m Max
Operating temperature: -40°C to +105°C



Order Information:
L-KLS2-ELKM-3.81-XXP-X

```

graph TD
    L --- L1[L]
    L --- L2[Terminal Block]
    L --- L3[Pitch: 3.81mm]
    L --- L4[No.: of 02 ~ 24 Pole]
    L --- L5[Color:]
    L5 --- L6[1=Gray]
    L5 --- L7[2=Blue]
    L5 --- L8[3=Black]
    L5 --- L9[4=Green]
    L5 --- L10[5=Orange]
    L5 --- L11[6=Red]
    L5 --- L12[7=Transp]
    L5 --- L13[8=Yellow]
    L5 --- L14[9=White]
  
```

ANGLE TOLERANCE	PROJECTION	Description:	3.81mm Pluggable terminal block	
±3°				
GENERAL TOLERANCE	UNITS	mm	KLS P/N:	L-KLS2-ELKM-3.81-XXP-X
x.x ±0.30	SHEET SIZE	A4		
x.xx ±0.20	Draw:	Daniel	2023-05-05	NingBo KLS ELECTRONIC CO.,L TD.
x.xxx ±0.10	Check:	Daniel	2023-05-05	