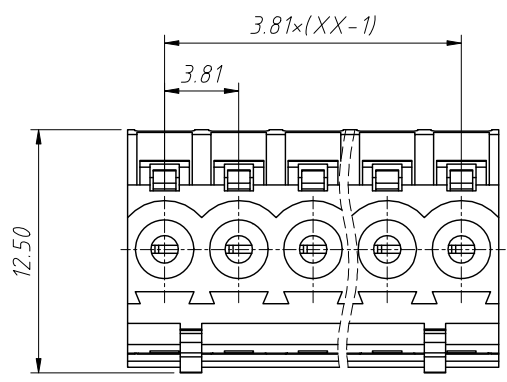


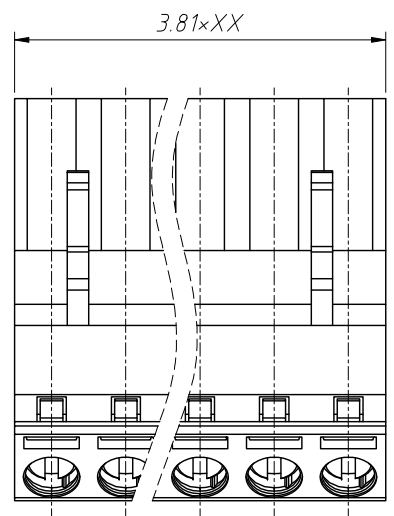
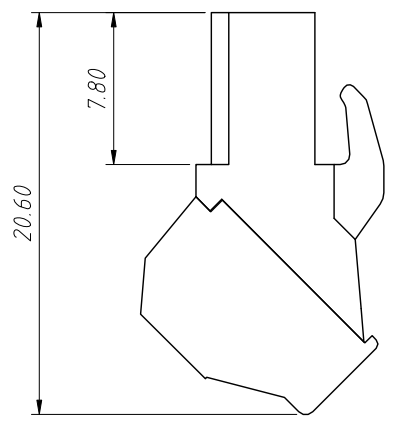
1
RoHS Compliance



Material:
Insulation:PA66,UL 94 V-0
Contactor:Copper alloy,Ni plated

Electrical:
Rated Voltage:300V
Rated Current:8A
Withstanding Voltage:1600VAC(1min)

Mechanical:
Wire Range:16-28AWG
Stripping Length:6-7mm
Screw:M2/Torque:0.2N.m Max
Operating temperature:-40°C to +105°C



Order Information:
L-KLS2-ELK-3.81-XXP-X

```

graph TD
    L --- L1[L: RoHS]
    L --- L2[Terminal Block]
    L --- L3[Pitch:3.81mm]
    L --- L4[No.: of 02 ~ 24 Pole]
    L --- L5[Color:]
    L5 --- L5_1[1=Gray]
    L5 --- L5_2[2=Blue]
    L5 --- L5_3[3=Black]
    L5 --- L5_4[4=Green]
    L5 --- L5_5[5=Orange]
    L5 --- L5_6[6=Red]
    L5 --- L5_7[7=Transp]
    L5 --- L5_8[8=Yellow]
    L5 --- L5_9[9=White]
  
```

ANGLE TOLERANCE	PROJECTION	Description:	3.81mm Pluggable terminal block	
±3°				
GENERAL TOLERANCE	UNITS	mm	KLS P/N:	L-KLS2-ELK-3.81-XXP-X
x.x ±0.30	SHEET SIZE	A4		
x.xx ±0.20	Draw:	Daniel	2023-05-05	NingBo KLS ELECTRONIC CO.,L TD.
x.xxx ±0.10	Check:	Daniel	2023-05-05	