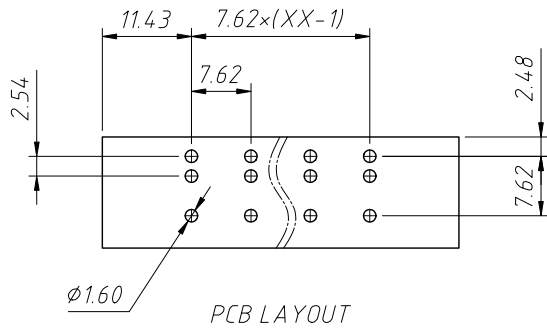
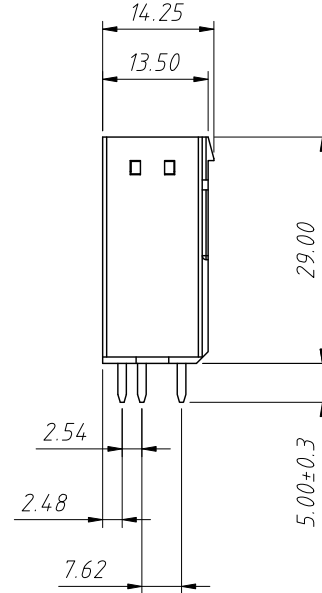
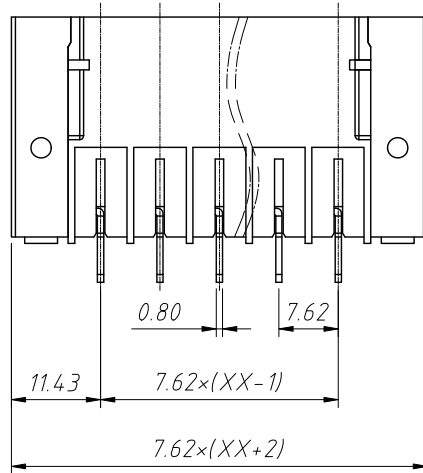
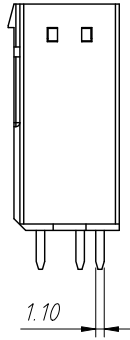
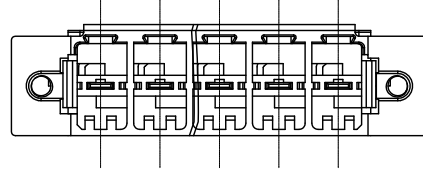


1 RoHS Compliance



Material:
Insulation: PA66, UL 94 V-0
Contactor: Copper alloy, Sn plated

Electrical:
Rated Voltage: 300V
Rated Current: 4.1A
Withstanding Voltage: 1600VAC(1min)

Mechanical:
Operating temperature: -40°C to +105°C

Order Information:

L-KLS2-EDVYM-7.62-XXP-X

L: RoHS
Terminal Block
Pitch: 7.62mm
No.: of 02 ~ 12 Pole
Color:
1=Gray 2=Blue 3=Black
4=Green 5=Orange 6=Red
7=Transp 8=Yellow 9=White

| | | | |
|-------------------|------------|---------------------------------|-------------------------|
| ANGLE TOLERANCE | PROJECTION | Description: | |
| ±3° | | 7.62mm Pluggable terminal block | |
| GENERAL TOLERANCE | UNITS | mm | KLS P/N: |
| x.x ±0.30 | SHEET SIZE | A4 | L-KLS2-EDVYM-7.62-XXP-X |
| x.xx ±0.20 | Draw: | Daniel | 2023-05-05 |
| x.xxx ±0.10 | Check: | Daniel | 2023-05-05 |



NingBo KLS ELECTRONIC CO.,LTD.