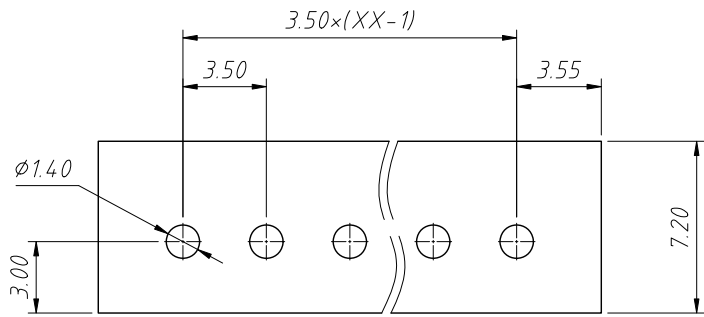
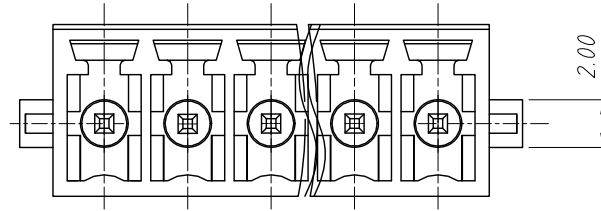


1 RoHS Compliance



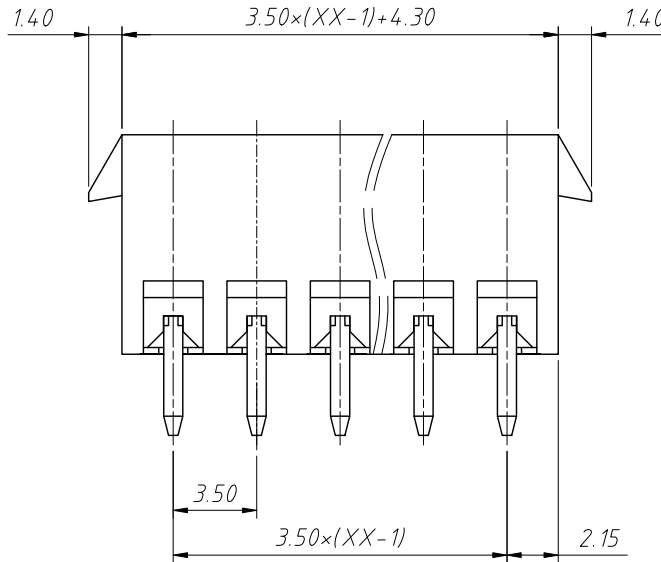
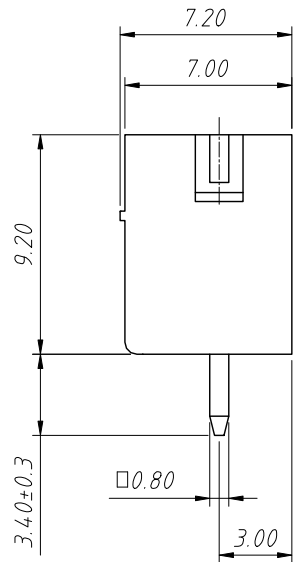
PCB LAYOUT



Material:
Insulation:PA66,UL 94V-0
Contactor:Copper alloy,Sn plated

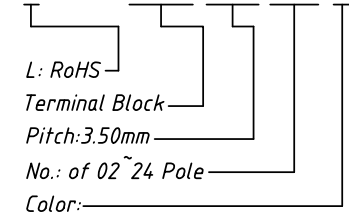
Electrical:
Rated Voltage:300V
Rated Current:8A
Withstanding Voltage:1600VAC(1min)

Mechanical:
Operating temperature:-40°C to +105°C



Order Information:

L-KLS2-EDVG-3.50-XXP-X



Color:
1=Gray 2=Blue 3=Black
4=Green 5=Orange 6=Red
7=Transp 8=Yellow 9=White

ANGLE TOLERANCE	PROJECTION	Description:	
±3°		3.50mm Pluggable terminal block	
GENERAL TOLERANCE	UNITS	mm	KLS P/N:
x.x ±0.30	SHEET SIZE	A4	L-KLS2-EDVG-3.50-XXP-X
x.xx ±0.20	Draw:	Daniel	2023-05-05
x.xxx ±0.10	Check:	Daniel	2023-05-05



NingBo KLS ELECTRONIC CO.,L TD.