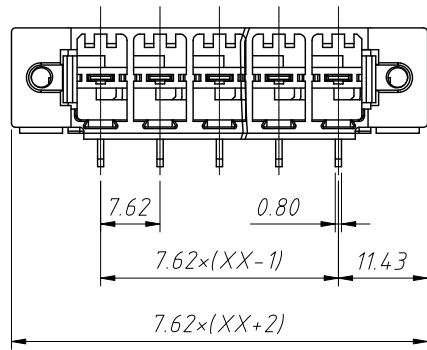


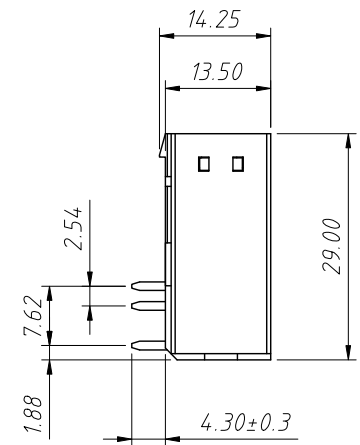
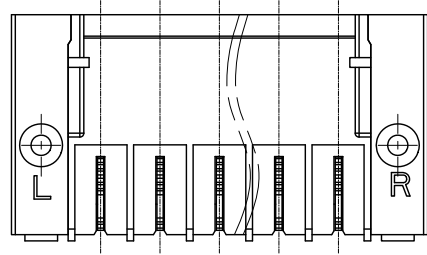
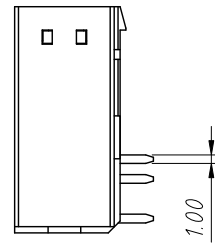
1  
RoHS Compliance



Material:  
Insulation: PA, UL 94 V-0  
Contactor: Copper alloy, Sn plated

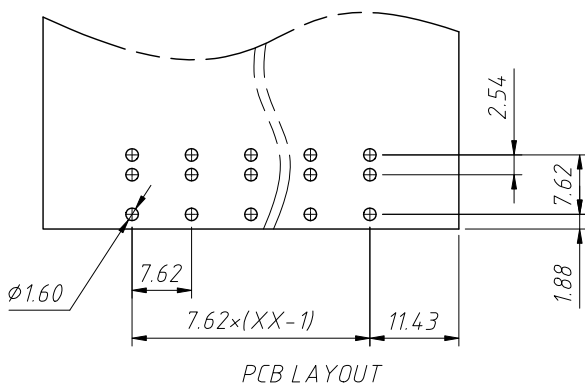
Electrical:  
Rated Voltage: 300V  
Rated Current: 41A  
Withstanding Voltage: 1600VAC (1min)

Mechanical:  
Operating temperature: -40°C to +105°C



Order Information:  
L-KLS2-EDRHM-7.62-XXP-X

L: RoHS  
Terminal Block  
Pitch: 7.62mm  
No.: of 02 ~ 12 Pole  
Color:  
1=Gray 2=Blue 3=Black  
4=Green 5=Orange 6=Red  
7=Transp 8=Yellow 9=White



ANGLE TOLERANCE	PROJECTION	Description:	
±3°		7.62mm Pluggable terminal block	
GENERAL TOLERANCE	UNITS	mm	KLS P/N:
x.x ±0.30	SHEET SIZE	A4	L-KLS2-EDRHM-7.62-XXP-X
x.xx ±0.20	Draw:	Daniel	2023-05-05
x.xxx ±0.10	Check:	Daniel	2023-05-05

