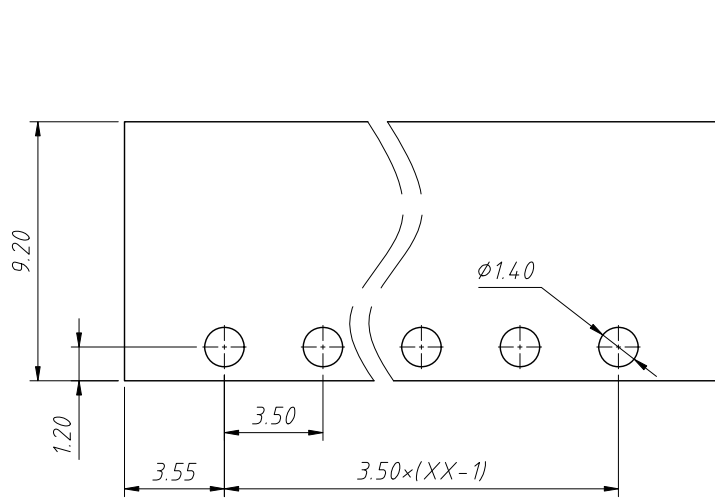
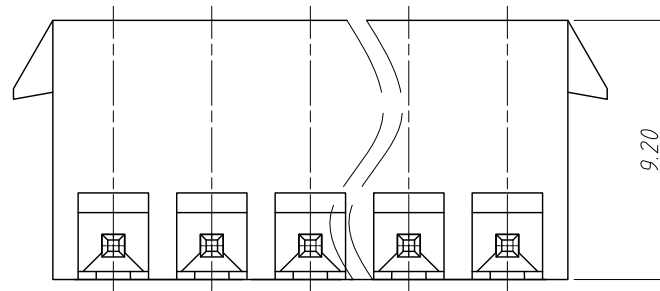
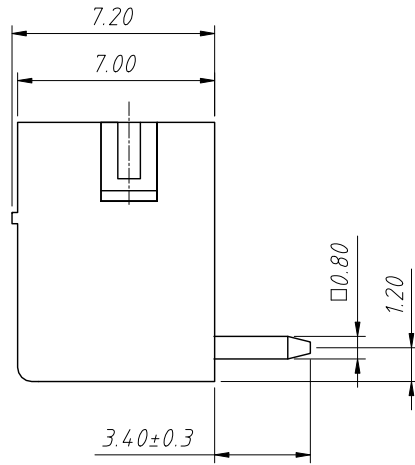
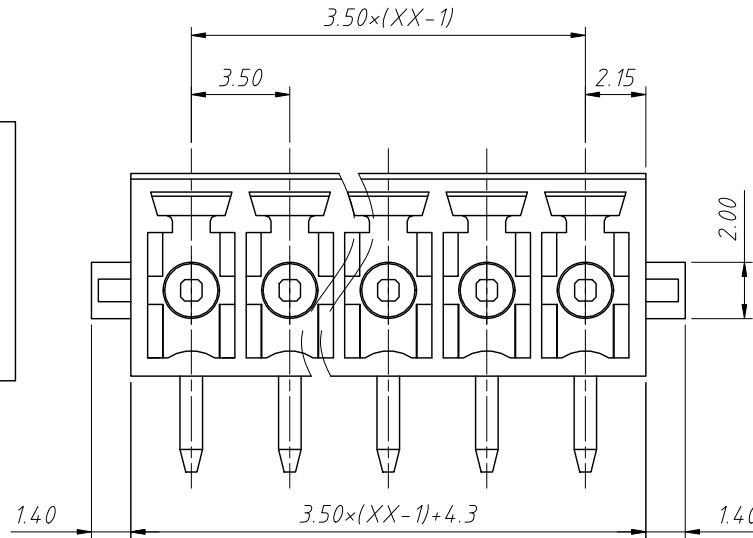


RoHS Compliance



PCB LAYOUT



Material:  
Insulation: PA66, UL 94V-0  
Contactor: Copper alloy, Sn plated

Electrical:  
Rated Voltage: 300V  
Rated Current: 8A  
Withstanding Voltage: 1600VAC(1min)

Mechanical:  
Operating temperature: -40°C to +105°C

Order Information:  
L-KLS2-EDRG-3.50-XXP-X

L: RoHS  
Terminal Block  
Pitch: 3.50mm  
No.: of 02 ~ 24 Pole  
Color:  
1=Gray 2=Blue 3=Black  
4=Green 5=Orange 6=Red  
7=Transp 8=Yellow 9=White

ANGLE TOLERANCE	PROJECTION	Description:	
±3°		3.50mm Pluggable terminal block	
GENERAL TOLERANCE	UNITS	mm	KLS P/N:
x.x ±0.30	SHEET SIZE	A4	L-KLS2-EDRG-3.50-XXP-X
x.xx ±0.20	Draw:	Daniel	2023-05-05
x.xxx ±0.10	Check:	Daniel	2023-05-05



NingBo KLS ELECTRONIC CO.,L TD.