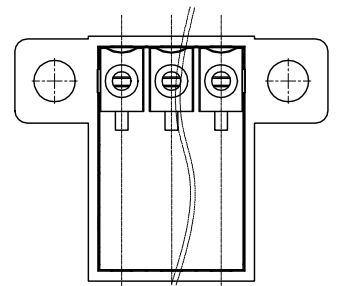


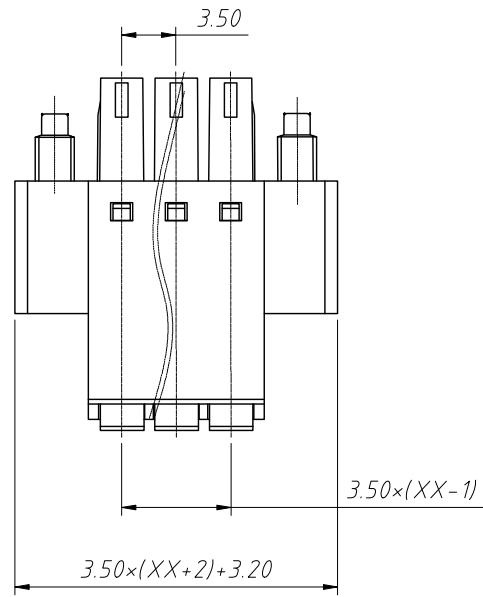
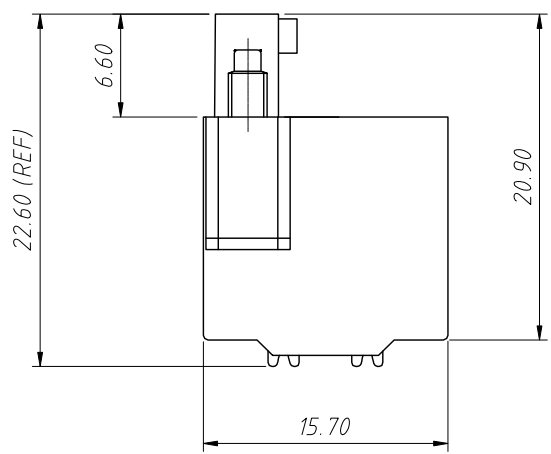
1
RoHS Compliance



Material:
Insulation: PA66, UL 94V-0
Contactor: Copper alloy, Sn plated

Electrical:
Rated Voltage: 300V
Rated Current: 8A
Withstanding Voltage: 1600VAC (1min)

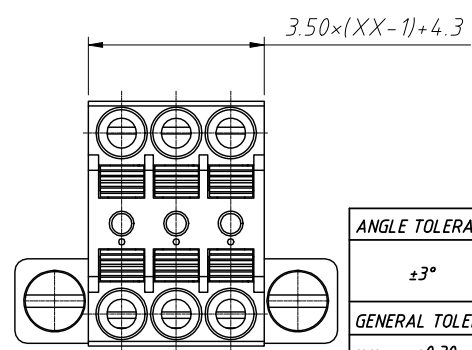
Mechanical:
Wire range: 16-24AWG
Stripping Length: 10-11mm
Operating temperature: -40°C to +105°C



Order Information:
L-KLS2-EDGKDHM-3.50-XXP-X

L: RoHS
Terminal Block
Pitch: 3.50mm
No.: of 02 ~ 24 Pole
Color:

1=Gray 2=Blue 3=Black
4=Green 5=Orange 6=Red
7=Transp 8=Yellow 9=White



ANGLE TOLERANCE	PROJECTION	Description:	
±3°		3.50mm Pluggable terminal block	
GENERAL TOLERANCE	UNITS	mm	KLS P/N:
x.x ±0.30	SHEET SIZE	A4	L-KLS2-EDGKDHM-3.50-XXP-X
x.xx ±0.20	Draw:	Daniel	2023-05-05
x.xxx ±0.10	Check:	Daniel	2023-05-05

