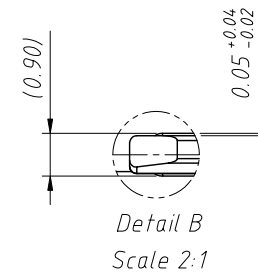
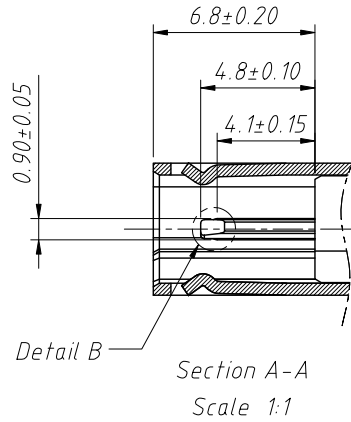
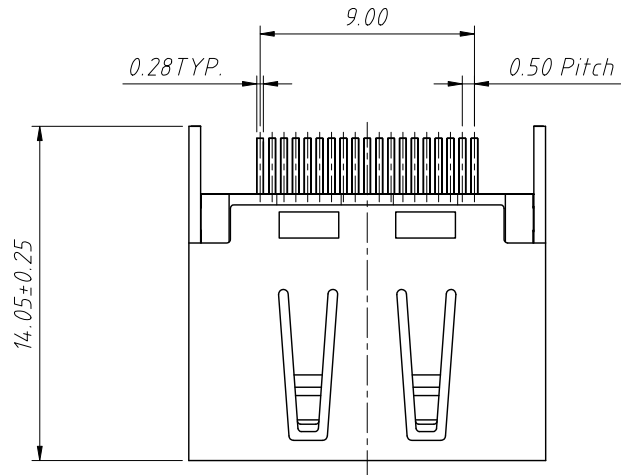


RoHS Compliance



Order Information:

L-KLS1-L-011-G

L: RoHS

Plating:

G=Gold N=Nickle

Material:

Housing:LCP+30%GF UL 94-V0,Color black

Shell:SPCC,Plating gold overall

Terminal:C2680,Gold plated within connect area,

Tin plated within solder area.

Electrical Characteristics:

Current rating:0.5A

Voltage rating:40V AC MAX

Contact Resistance:30mΩ Max

Insulator Resistance:100MΩ DC Min(Unmated);

10MΩ DC Min(Mated)

Dielectric strength:500V AC Min.(Unmated);

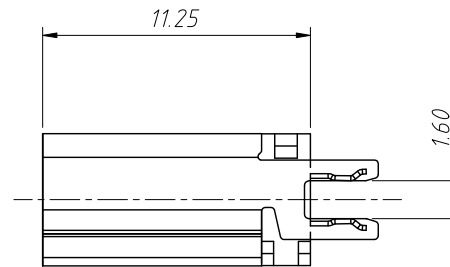
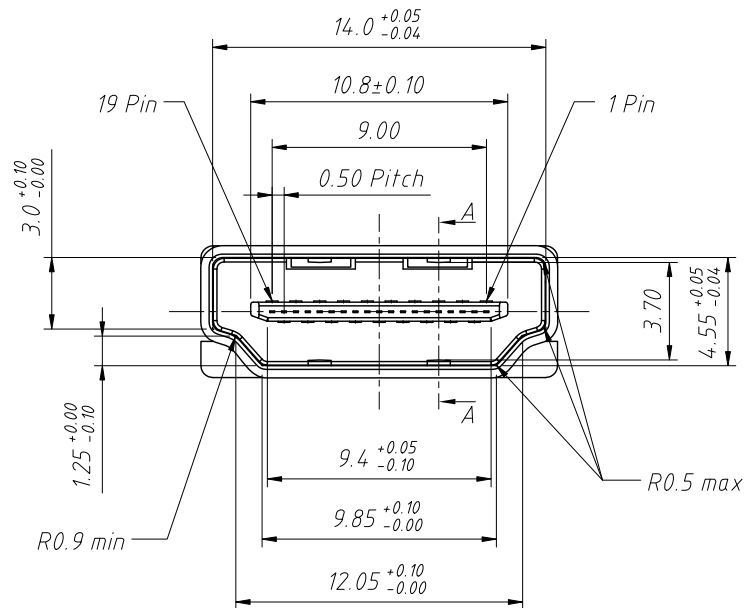
300V AC Min.(Mated)

Temperature range:-40°C ~ +85°C

Insertion force:44.1N MAX

Withdrawa force:9.8 ~ 39.2N

Durability:10000 Cycles

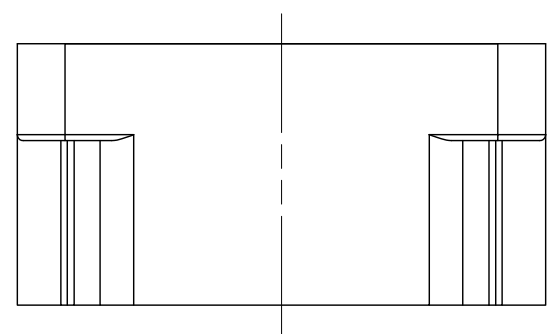
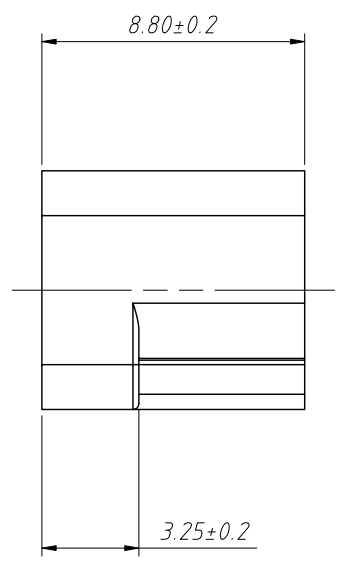
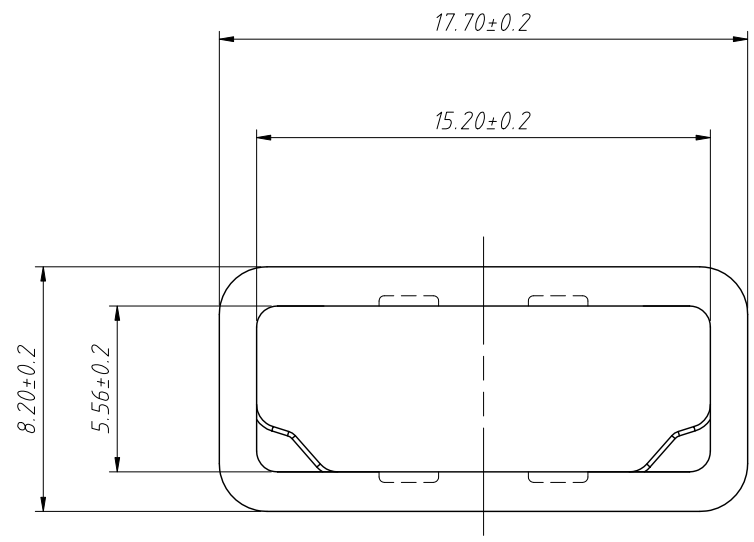


ANGLE TOLERANCE	PROJECTION	Description:
±3°		HDMI A female Splint type + The sheath
GENERAL TOLERANCE	UNITS	mm
x.x ±0.30	SHEET SIZE	A4
x.xx ±0.20	Draw:	Daniel 2023-05-05
x.xxx ±0.10	Check:	Daniel 2023-05-05



NingBo KLS ELECTRONIC CO.,L TD.

1
RoHS Compliance



ANGLE TOLERANCE	PROJECTION	Description:		
±3°		The sheath,Material:ABS,Color black		
GENERAL TOLERANCE	UNITS	mm	KLS P/N: L-KLS1-L-011-G	
x.x ±0.30	SHEET SIZE	A4	NingBo KLS ELECTRONIC CO.,L TD.	
x.xx ±0.20	Draw:	Daniel		2023-05-05
x.xxx ±0.10	Check:	Daniel		2023-05-05