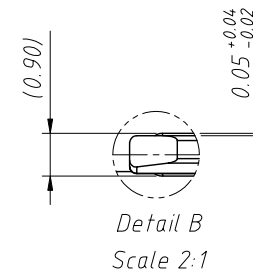
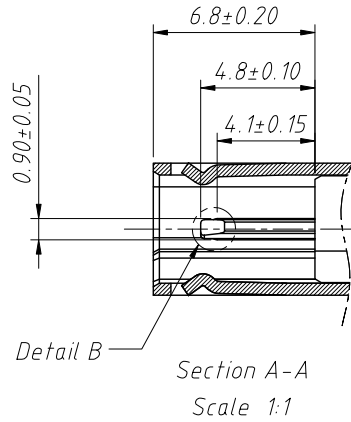
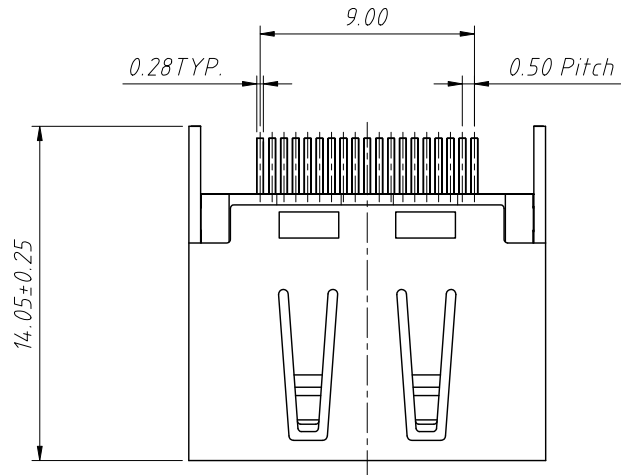


RoHS Compliance



Order Information:

L-KLS1-L-010-G

L: RoHS

Plating:

G=Gold N=Nickle

Material:

Housing: LCP+30%GF UL 94-V0, Color black

Shell: SPCC, Plating gold overall

Terminal: C2680, Gold plated within connect area,

Tin plated within solder area.

Electrical Characteristics:

Current rating: 0.5A

Voltage rating: 40V AC MAX

Contact Resistance: 30mΩ Max

Insulator Resistance: 100MΩ DC Min.(Unmated);

10MΩ DC Min.(Mated)

Dielectric strength: 500V AC Min.(Unmated);

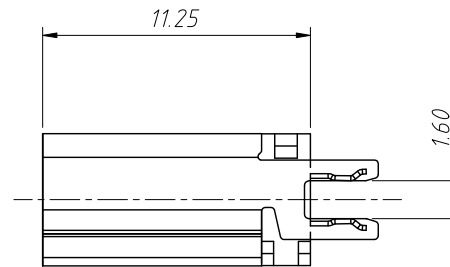
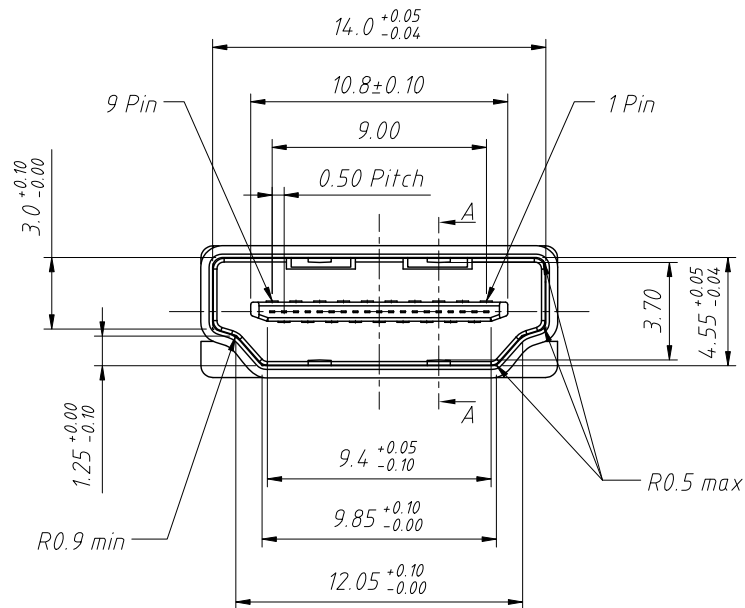
300V AC Min.(Mated)

Temperature range: -40°C ~ +85°C

Insertion force: 44.1N MAX

Withdraw force: 9.8 ~ 39.2N

Durability: 10000 Cycles

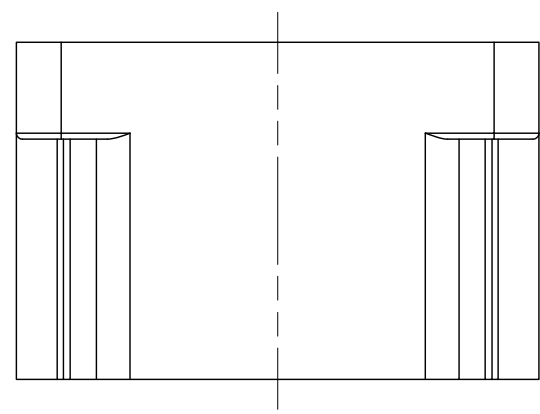
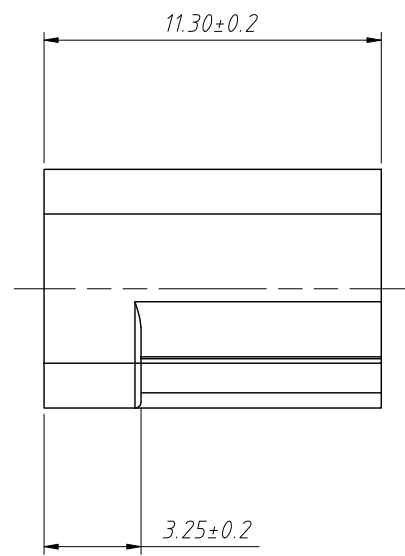
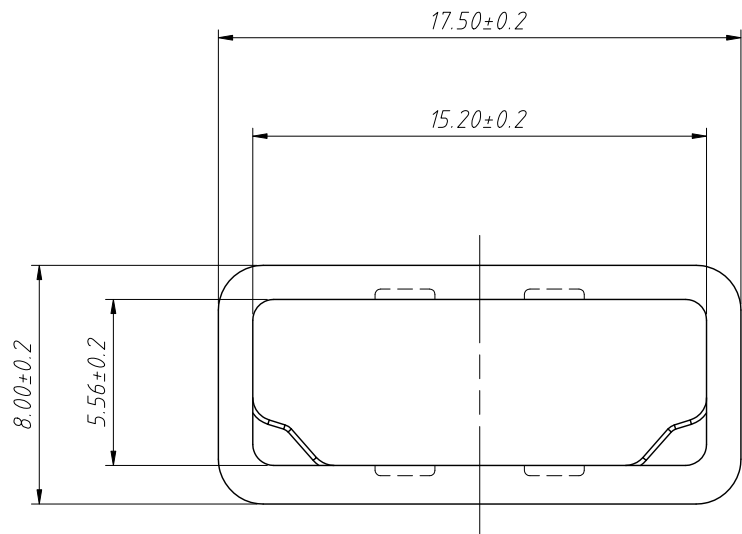


ANGLE TOLERANCE	PROJECTION	Description:
±3°		HDMI A female Splint type + Semi sheath
GENERAL TOLERANCE	UNITS	mm
x.x ±0.30	SHEET SIZE	A4
x.xx ±0.20	Draw:	Daniel 2023-05-05
x.xxx ±0.10	Check:	Daniel 2023-05-05



NingBo KLS ELECTRONIC CO.,L TD.

1  
RoHS Compliance



ANGLE TOLERANCE	PROJECTION	Description:	
±3°		Semi sheath,Material:ABS,Color black	
GENERAL TOLERANCE	UNITS	mm	KLS P/N:
x.x ±0.30	SHEET SIZE	A4	L-KLS1-L-010-G
x.xx ±0.20	Draw:	Daniel	2023-05-05
x.xxx ±0.10	Check:	Daniel	2023-05-05

