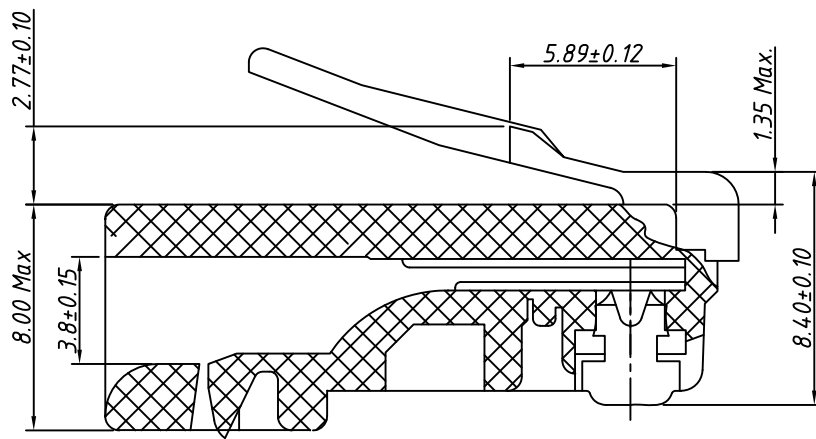
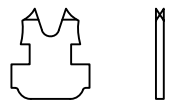
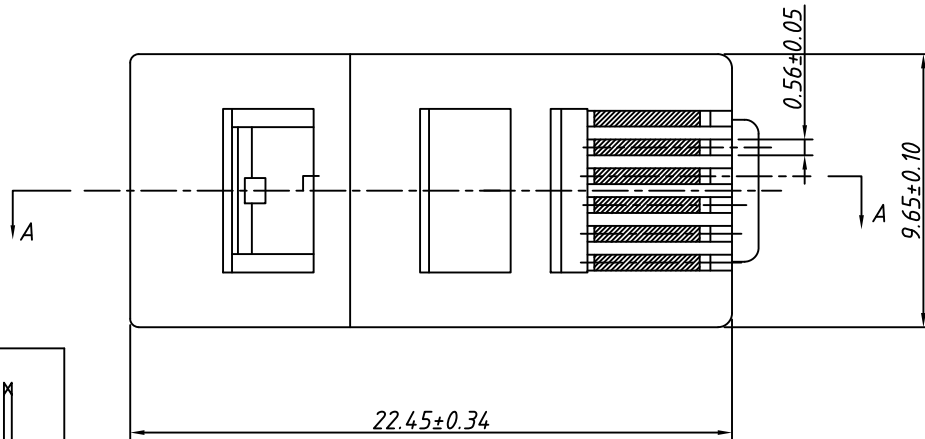
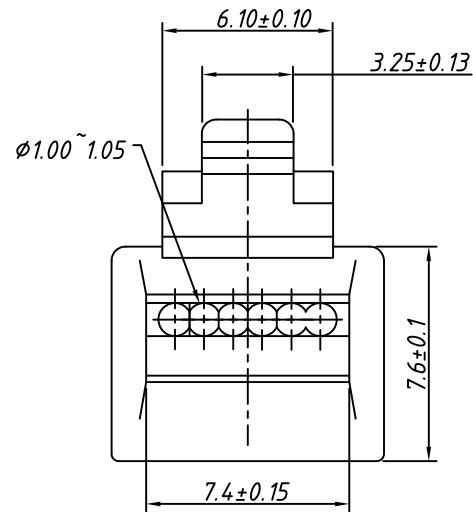


1 RoHS Compliance



SECTION A-A



Type A



Type D

BLADE Type

Material:
Housing: Polycarbonate, Transparent
UL 94 V-0 or UL 94 V-2
Contact: Brass, Gold Plating

Electric:
Rated Current: 125 V AC, 1.5A@25°C
Contact Resistance: 20mΩ Max.
Insulation Resistance: 500MΩ Min, 100V DC/min
Withstand voltage: 1000V AC/1 minute
No Breakdown

Mechanical:
Durability: 750 Cycles Min.
Operation Temperature: -40°C ~ +85°C

ORDER INFORMATION:

L-KLS12 - RJ12E - 6P6C- xx X X

RoHS

Point No.

Gold Plating:

01-Fu" gold plating

02-3u" gold plating

03-6u" gold plating

15-15u" gold plating

30-30u" gold plating

50-50u" gold plating

BLADE type:

Flammability:

Blank - UL 94 V-2 0 - UL 94 V-0

ANGLE TOLERANCE	PROJECTION	Description:
±3°		UTP CAT3 6P6C RJ12 Modular plugs Long type
GENERAL TOLERANCE	UNITS	mm
x.x ±0.20	SHEET SIZE	A4
x.xx ±0.10	Draw:	Daniel 2023-06-08
x.xxx ±0.05	Check:	Daniel 2023-06-08



NingBo KLS ELECTRONIC CO.,L TD.