

1
RoHS Compliance

2

3

4

5

6

7

8

A

B

C

D

E

F

G

H

A

B

C

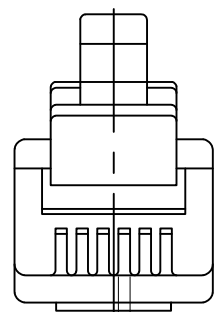
D

E

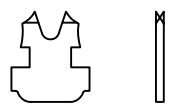
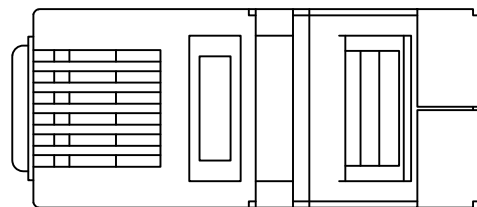
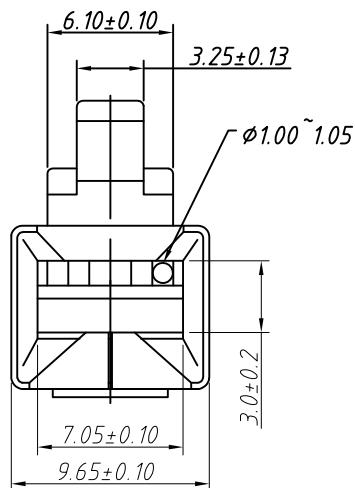
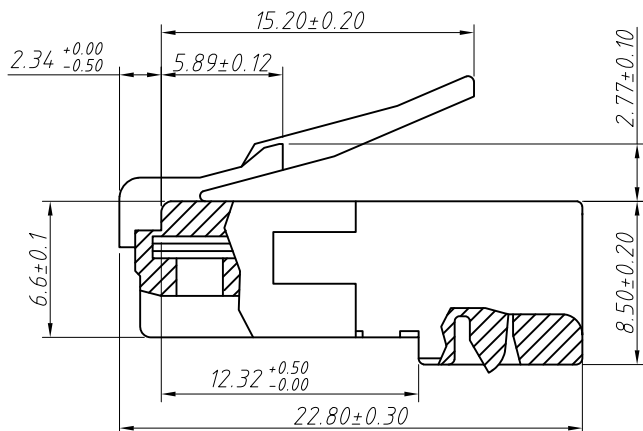
F

G

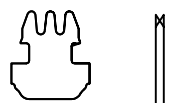
H



0.58±0.05



Type A



Type D

BLADE Type

Material:
Housing: Polycarbonate, Transparent
UL 94 V-0 or UL 94 V-2
Contact: Brass, Gold Plating
Shield: Brass T=0.25mm, Nickel Plating

Electric:
Rated Current: 125 V AC, 1.5A@25°C
Contact Resistance: 20mΩ Max.
Insulation Resistance: 500MΩ Min, 100V DC/min
Withstand voltage: 1000V AC/1 minute
No Breakdown

Mechanical:
Durability: 750 Cycles Min.
Operation Temperature: -40°C ~ +85°C

ORDER INFORMATION:

L-KLS12 - RJ12B - 6P6C - xx XX

RoHS

Point No.

Gold Plating:

- 01-Fu" gold plating
- 02-3u" gold plating
- 03-6u" gold plating
- 15-15u" gold plating
- 30-30u" gold plating
- 50-50u" gold plating

BLADE type:

Flammability:

Blank - UL 94 V-2 0 - UL 94 V-0

ANGLE TOLERANCE		PROJECTION		Description:	
±3°				FTP CAT3 6P6C RJ12 Modular plugs Long type	
GENERAL TOLERANCE		UNITS	mm	KLS P/N:	L-KLS12-RJ12B-6P6C-xxxx
x.x	±0.20	SHEET SIZE	A4	XX	
x.xx	±0.10	Draw:	Daniel	2023-06-08	
x.xxx	±0.05	Check:	Daniel	2023-06-08	



NingBo KLS ELECTRONIC CO.,L TD.