

1
RoHS Compliance

A

B

C

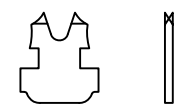
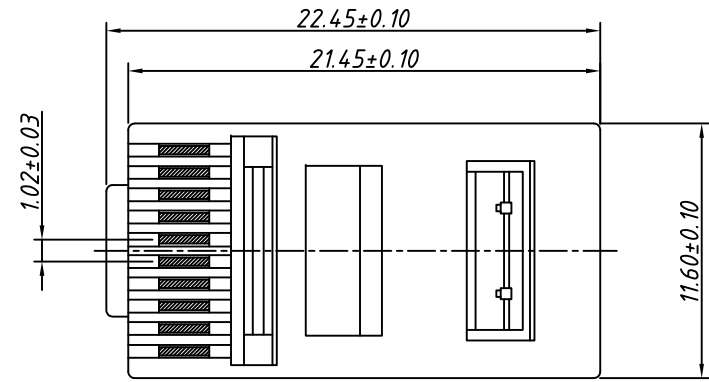
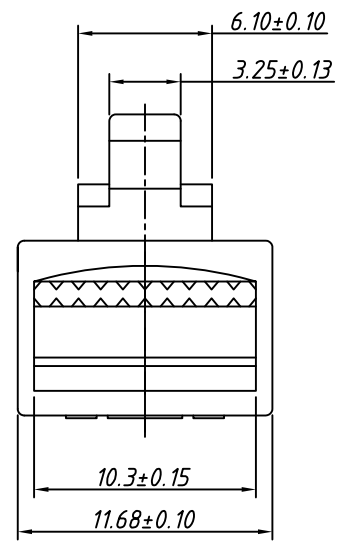
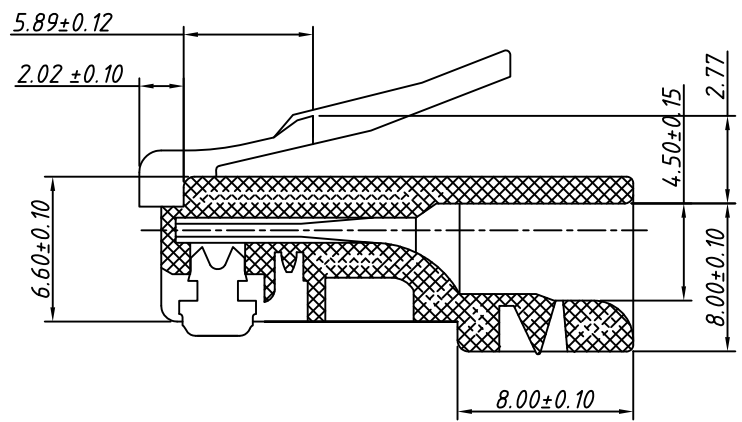
D

E

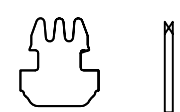
F

G

H



Type A



Type D

BLADE Type

Material:
Housing: Polycarbonate, Transparent
UL 94 V-0 or UL 94 V-2
Contact: Brass, Gold Plating

Electric:
Rated Current: 125 V AC, 1.5A@25°C
Contact Resistance: 20mΩ Max.
Insulation Resistance: 500MΩ Min, 100V DC/min
Withstand voltage: 1000V AC/1 minute
No Breakdown

Mechanical:
Insertion Force: 30N Max.
Withdrawal Force: 30N Max.
Durability: 750 Cycles Min.
Operation Temperature: -40°C ~ +85°C

ORDER INFORMATION:

L-KLS12 - RJ46 - 10P10C - xx X X

RoHS
Point No.
Gold Plating:
01-Fu" gold plating
02-3u" gold plating
03-6u" gold plating
15-15u" gold plating
30-30u" gold plating
50-50u" gold plating
BLADE type:
Flammability:
Blank - UL 94 V-2 0 - UL 94 V-0

ANGLE TOLERANCE	PROJECTION	Description:	UTP CAT5E 10P10C Modular plugs	
±3°				
GENERAL TOLERANCE	UNITS	mm	KLS P/N:	L-KLS12-RJ46-10P10C-xxxx
x.x ±0.20	SHEET SIZE	A4	XX	
x.xx ±0.10	Draw:	Daniel	2023-06-08	
x.xxx ±0.05	Check:	Daniel	2023-06-08	

NingBo KLS ELECTRONIC CO.,L TD.

A

B

C

D

E

F

G

H