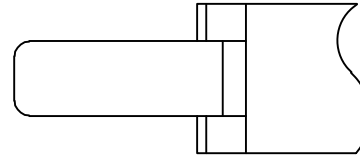
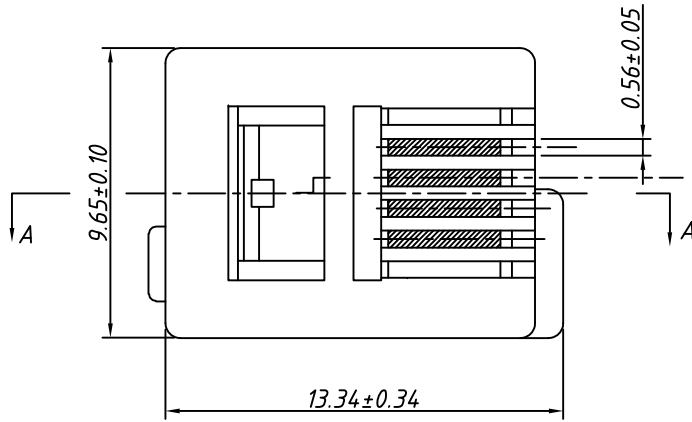


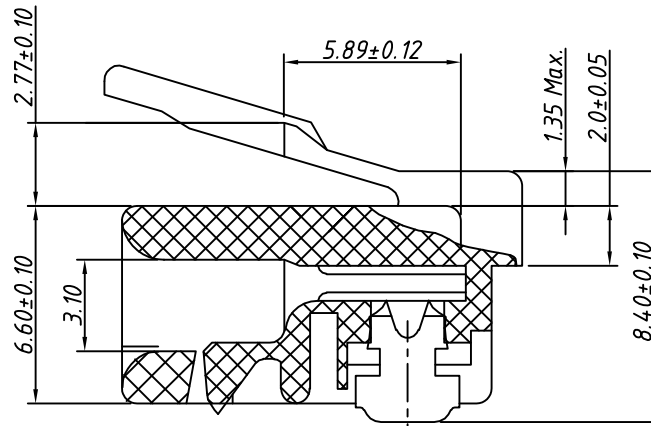
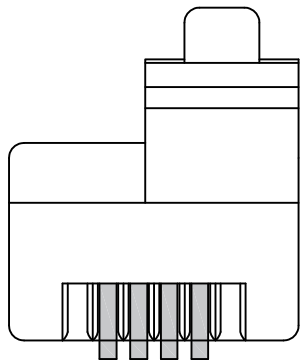
RoHS Compliance



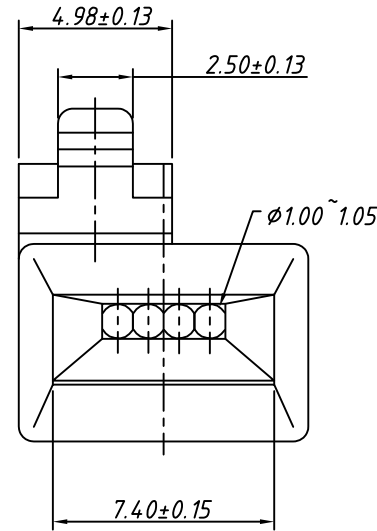
Material:
 Housing: Polycarbonate, Transparent
 UL 94 V-0 or UL 94 V-2
 Contact: Brass, Gold Plating

Electric:
 Rated Current: 125 V AC, 1.5A@25°C
 Contact Resistance: 20mΩ Max.
 Insulation Resistance: 500MΩ Min, 100V DC/min
 Withstand voltage: 1000V AC/1 minute
 No Breakdown

Mechanical:
 Durability: 750 Cycles Min.
 Operation Temperature: -40°C ~ +85°C



SECTION A-A



ORDER INFORMATION:

L-KLS12 - RJ12C - 6PxC - xx X X

RoHS

Point No.

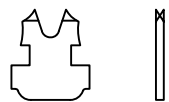
Gold Plating:

- 01-Fu" gold plating
- 02-3u" gold plating
- 03-6u" gold plating
- 15-15u" gold plating
- 30-30u" gold plating
- 50-50u" gold plating

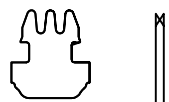
BLADE type:

Flammability:

Blank - UL 94 V-2 0 - UL 94 V-0

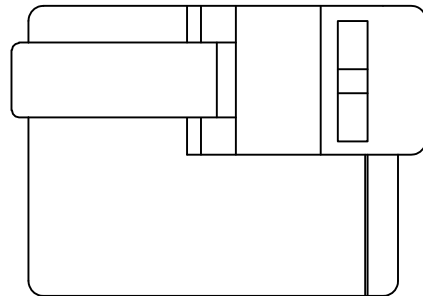


Type A



Type D

BLADE Type



ANGLE TOLERANCE	PROJECTION	Description:	CAT3 6P6C Modular Plug Right type	
±3°				
GENERAL TOLERANCE	UNITS	mm	KLS P/N:	L-KLS12-RJ12C-6PxC-xxxx
x.x ±0.20	SHEET SIZE	A4	XX	
x.xx ±0.10	Draw:	Daniel	2023-06-08	
x.xxx ±0.05	Check:	Daniel	2023-06-08	

NingBo KLS ELECTRONIC CO.,L TD.