

1
RoHS Compliance

A

B

C

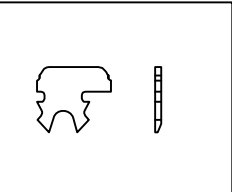
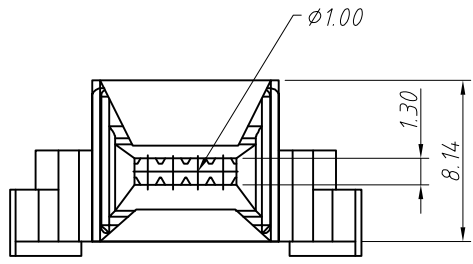
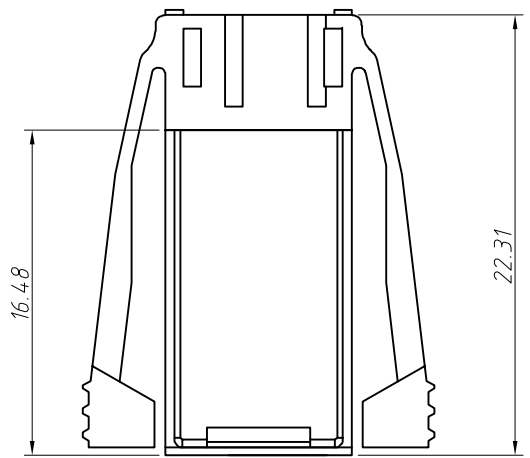
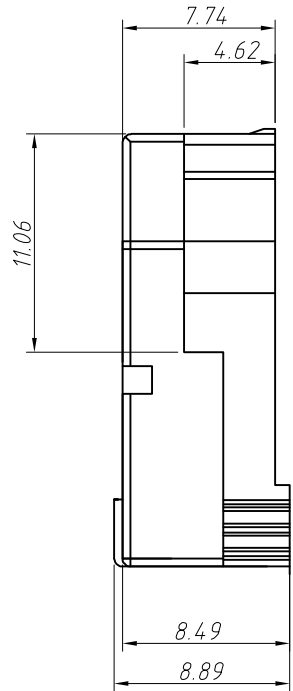
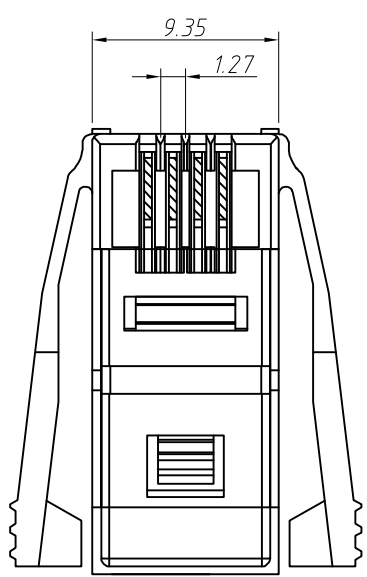
D

E

F

G

H



BLADE Type

Material:
Housing: Polycarbonate, Transparent
UL 94 V-0 or UL 94 V-2
Contact: Brass, Gold Plating
Shield: Brass T=0.25mm, Nickel Plating
Electric:
Rated Current: 250 V AC, 2A
Contact Resistance: 35mΩ Max.
Insulation Resistance: 500MΩ Min, 100V DC/min
Withstand voltage: 500V AC/1 minute
No Breakdown
Mechanical:
Durability: 500 Cycles Min.
Operation Temperature: -40°C ~ +85°C

ORDER INFORMATION:
L-KLS12 - RJ11B - 4PxC- xx X
RoHS
Point No.
Gold Plating:
01-Fu" gold plating
02-3u" gold plating
03-6u" gold plating
15-15u" gold plating
30-30u" gold plating
50-50u" gold plating
Flammability:
Blank - UL 94 V-2 0 - UL 94 V-0

ANGLE TOLERANCE	PROJECTION	Description:	FTP CAT5E 4P4C Modular plugs	
±3°		FLAT CABLE ENTRY WITH SHIELDED AND TWO SIDE LATCH		
GENERAL TOLERANCE	UNITS	mm	KLS P/N:	L-KLS12-RJ11B-4PxC-xxxx-XX
x.x ±0.20	SHEET SIZE	A4	XX	NingBo KLS ELECTRONIC CO.,L TD.
x.xx ±0.10	Draw:	Daniel	2023-06-08	
x.xxx ±0.05	Check:	Daniel	2023-06-08	

1 2 3 4 5 6 7 8

A

B

C

D

E

F

G

H