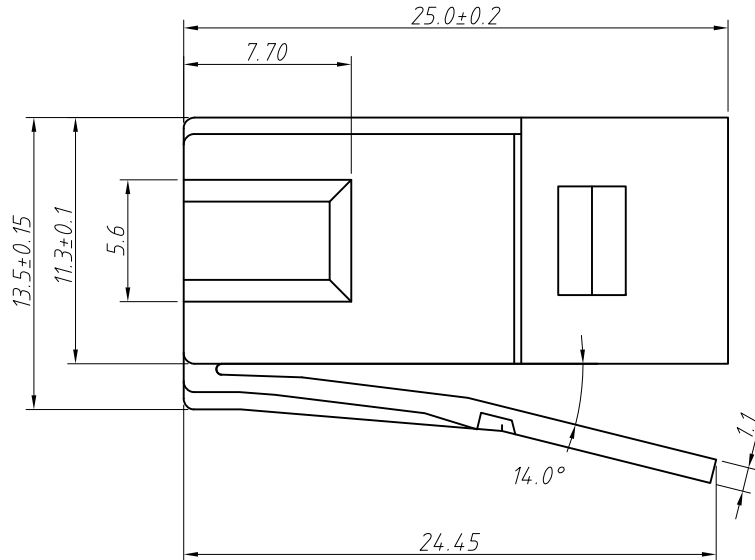
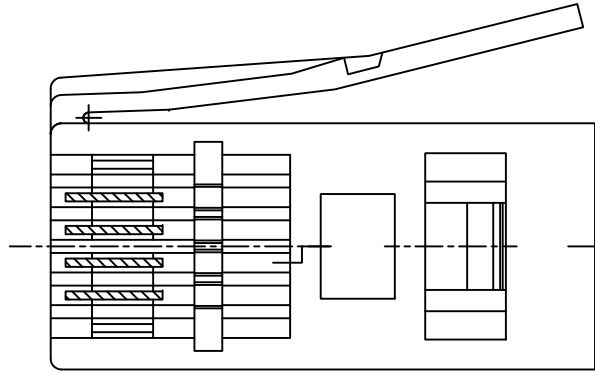
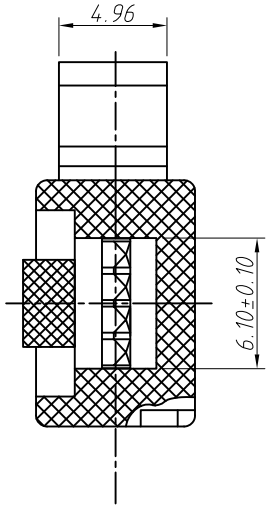
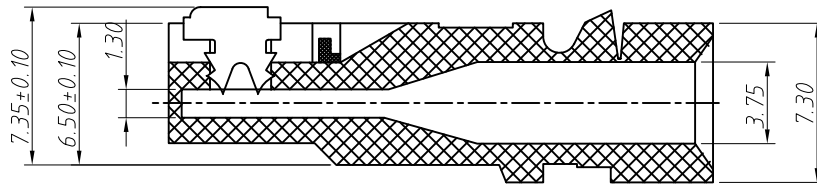


1
RoHS Compliance



BLADE Type

Material:
Housing: Polycarbonate, White
Contact: Brass, Gold Plating

Electric:
Rated Current: 125 V AC, 1.5A@25°C
Contact Resistance: 20mΩ Max.
Insulation Resistance: 1000MΩ Min, 100V DC/min
Withstand voltage: 1000V AC/1 minute
No Breakdown

Mechanical:
Durability: 750 Cycles Min.
Operation Temperature: -40°C ~ +85°C

ORDER INFORMATION:

L-KLS12 - UK12 - 6PxC - xx

RoHS

Point No.

Gold Plating:

- 01-Fu" gold plating
- 02-3u" gold plating
- 03-6u" gold plating
- 15-15u" gold plating
- 30-30u" gold plating
- 50-50u" gold plating

ANGLE TOLERANCE		PROJECTION		Description:	
±3°				6PxC UK Modular plugs	
GENERAL TOLERANCE		UNITS	mm	KLS P/N:	L-KLS12-UK12-6PxC-xx
x.x	±0.20	SHEET SIZE	A4	XX	
x.xx	±0.10	Draw:	Daniel	2023-06-08	
x.xxx	±0.05	Check:	Daniel	2023-06-08	



NingBo KLS ELECTRONIC CO.,L TD.