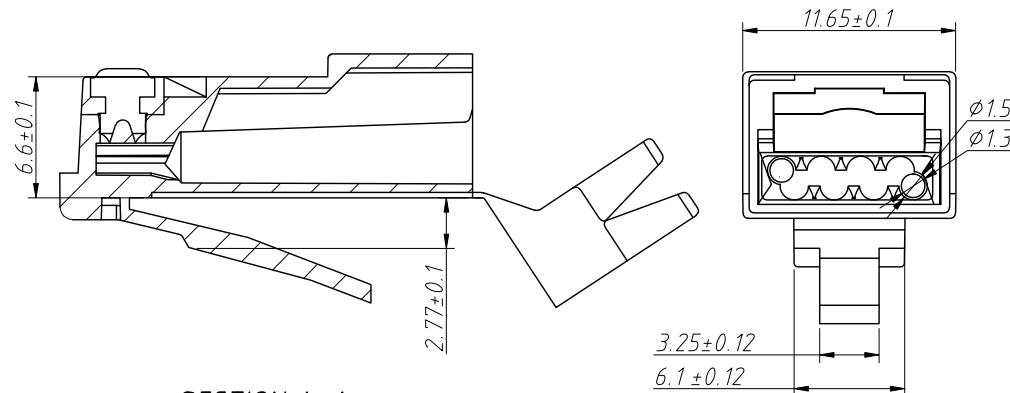
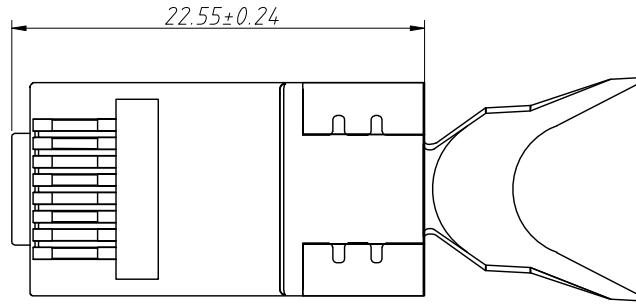
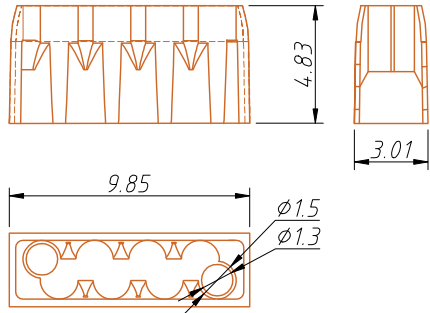
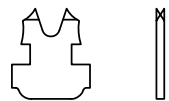


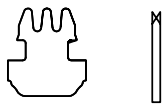
1 RoHS Compliance



SECTION A-A



Type A



Type D

BLADE Type

Material:
 Housing: Polycarbonate, Transparent
 UL 94 V-0 or UL 94 V-2
 Contact: Brass, Gold Plating
 Shield: Brass T=0.25mm, Nickel Plating
 Electric:
 Rated Current: 125 V AC, 1.5A@25°C
 Contact Resistance: 20mΩ Max.
 Insulation Resistance: 500MΩ Min, 100V DC/min
 Withstand voltage: 1000V AC/1 minute
 No Breakdown
 Mechanical:
 Insertion Force: 30N Max.
 Withdrawal Force: 30N Max.
 Durability: 750 Cycles Min.
 Operation Temperature: -40°C ~ +85°C

ORDER INFORMATION:

L-KLS12 - F7C02 - 8P8C- xx X X-XX

RoHS

Point No.

Gold Plating:

- 01-Fu" gold plating
- 02-3u" gold plating
- 03-6u" gold plating
- 15-15u" gold plating
- 30-30u" gold plating
- 50-50u" gold plating

BLADE type:

Flammability:

Blank - UL94V-2 0 - UL94V-0

Shield Code:

Blank- Brass shield 01-SPCC Shield

ANGLE TOLERANCE	PROJECTION		Description:
±3°			FTP CAT7 8P8C Modular plugs
GENERAL TOLERANCE	UNITS	mm	KLS P/N:
x.x ±0.20	SHEET SIZE	A4	L-KLS12-F7C02-8P8C-xxXX-XX
x.xx ±0.10	Draw:	Daniel	2023-06-07
x.xxx ±0.05	Check:	Daniel	2023-06-07



NingBo KLS ELECTRONIC CO.,L TD.