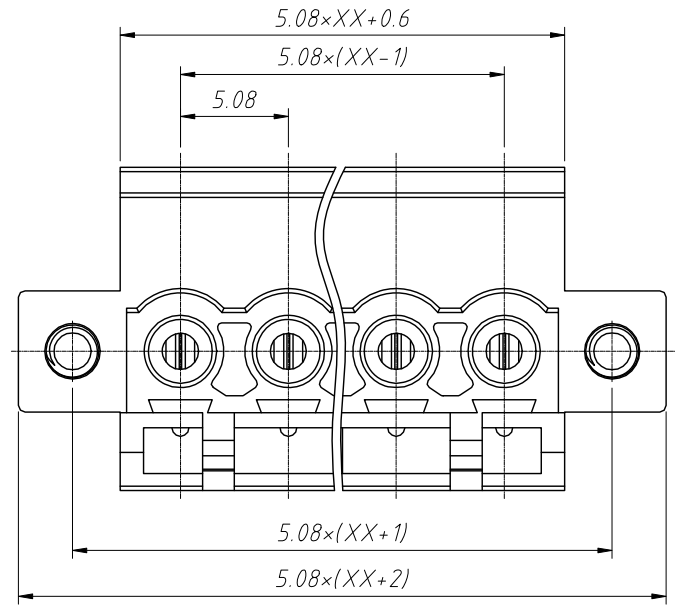


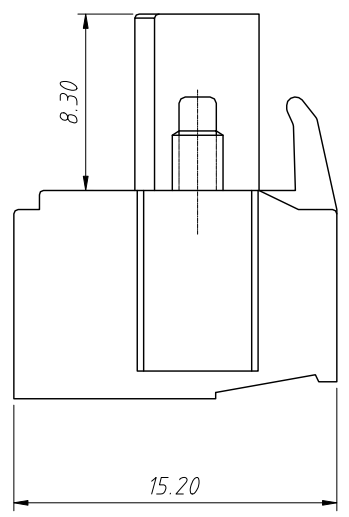
1
RoHS Compliance



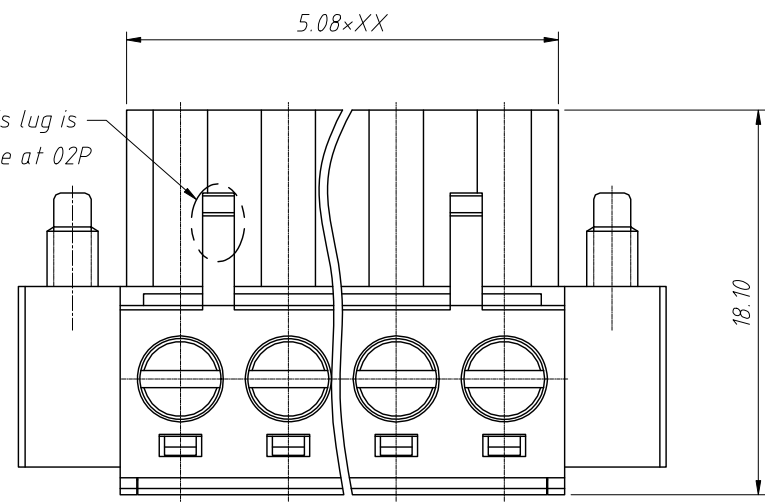
Material:
 Insulation: PA66, UL 94 V-0
 Contactor: Copper alloy, Sn plated

Electrical:
 Rated Voltage: 300V
 Rated Current: 15A
 Withstanding Voltage: 1600VAC (1min)

Mechanical:
 Wire Range: 12-28AWG
 Stripping Length: 7-8mm
 Screw: M3/Torque: 0.5N.m Max
 Operating temperature: -40°C to +105°C



Only this lug is available at 02P



Order Information:
 L-KLS2-EDDKM-5.08-XXP-X

L: RoHS
 Terminal Block
 Pitch: 5.08mm
 No.: of 02 ~ 24 Pole
 Color:

1=Gray 2=Blue 3=Black
 4=Green 5=Orange 6=Red
 7=Transp 8=Yellow 9=White

ANGLE TOLERANCE	PROJECTION	Description:	
±3°		5.08mm Pluggable terminal block	
GENERAL TOLERANCE	UNITS	mm	KLS P/N:
x.x ±0.30	SHEET SIZE	A4	L-KLS2-EDDKM-5.08-XXP-X
x.xx ±0.20	Draw:	Daniel	2023-05-05
x.xxx ±0.10	Check:	Daniel	2023-05-05

