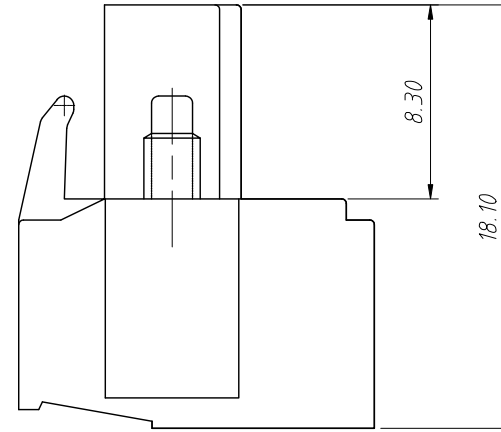
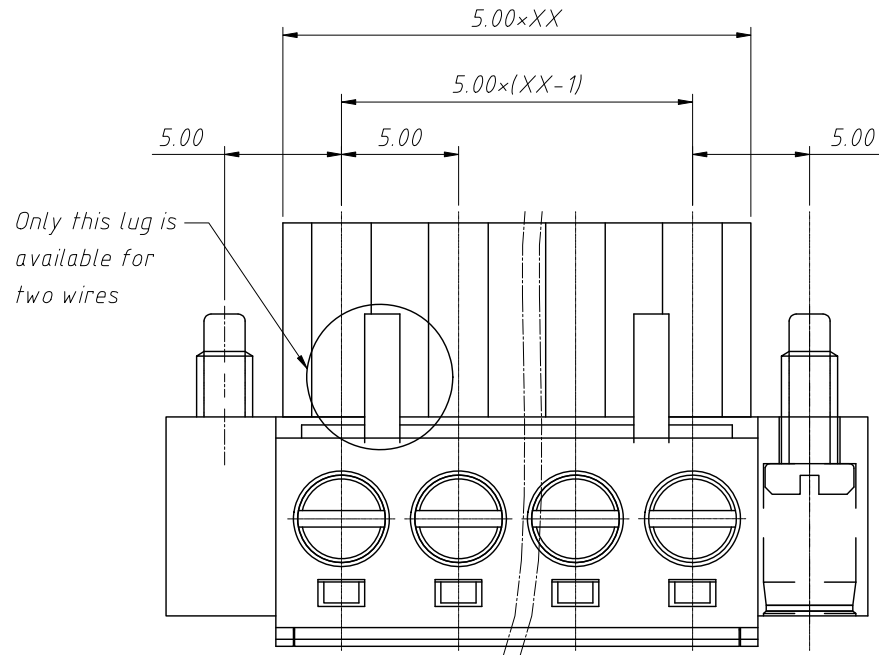


1 RoHS Compliance



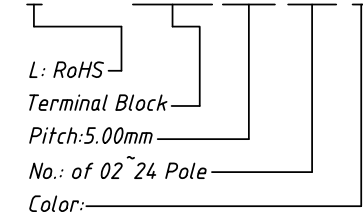
Material:
 Insulation: PA66, UL 94V-0
 Contactor: Copper alloy, Ni plated

Electrical:
 Rated Voltage: 300V
 Rated Current: 15A
 Withstanding Voltage: 1600VAC (1min)

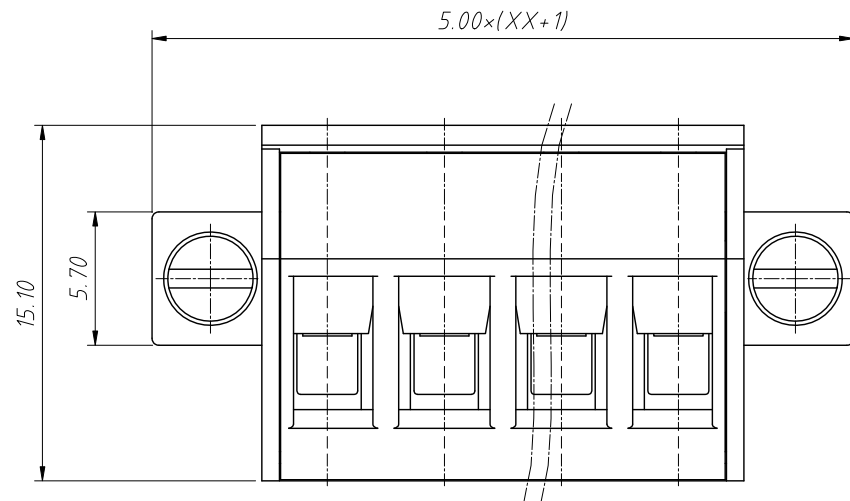
Mechanical:
 Wire Range: 12-28AWG
 Stripping Length: 7-8mm
 Screw: M3 / Torque: 0.5N.m Max
 Operating temperature: -40°C to +105°C

Order Information:

L-KLS2-EDDKM-5.00-XXP-X



Color:
 1=Gray 2=Blue 3=Black
 4=Green 5=Orange 6=Red
 7=Transp 8=Yellow 9=White



ANGLE TOLERANCE	PROJECTION	Description:	5.00mm Pluggable terminal block	
±3°				
GENERAL TOLERANCE	UNITS	mm	KLS P/N:	L-KLS2-EDDKM-5.00-XXP-X
x.x ±0.30	SHEET SIZE	A4		
x.xx ±0.20	Draw:	Daniel	2023-05-05	NingBo KLS ELECTRONIC CO.,L TD.
x.xxx ±0.10	Check:	Daniel	2023-05-05	