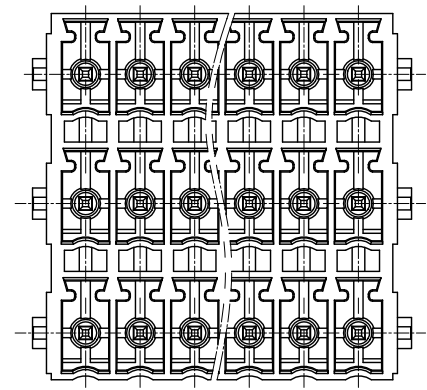
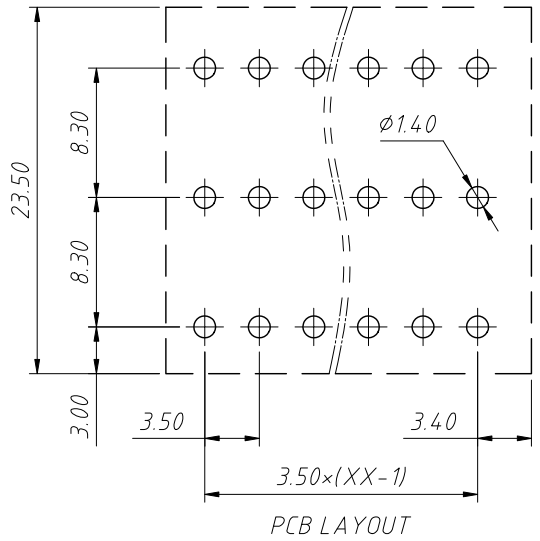


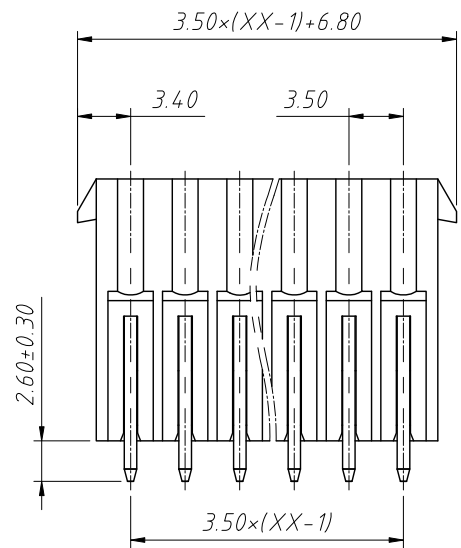
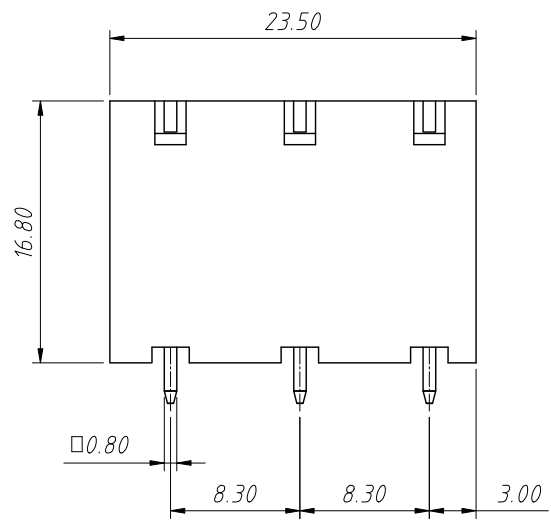
1  
RoHS Compliance



Material:  
Insulation:PBT,UL 94 V-0  
Contactor:Copper alloy,Sn plated

Electrical:  
Rated Voltage:300V  
Rated Current:8A  
Withstanding Voltage:1600VAC(1min)

Mechanical:  
Pin Dimensions:0.8x0.8mm  
PCB Hole Diameter:φ1.4mm  
Operating temperature:-30°C to +120°C



Order Information:  
L-KLS2-EDAV3N-3.50-XXP-X

L: RoHS  
Terminal Block  
Pitch:3.50mm  
No.: of 3x02 ~ 3x24 Pole  
Color:  
1=Gray 2=Blue 3=Black  
4=Green 5=Orange 6=Red  
7=Transp 8=Yellow 9=White

ANGLE TOLERANCE	PROJECTION	Description:	3.50mm Pluggable terminal block	
±3°				
GENERAL TOLERANCE	UNITS	mm	KLS P/N:	L-KLS2-EDAV3N-3.50-XXP-X
x.x ±0.30	SHEET SIZE	A4		
x.xx ±0.20	Draw:	Daniel	2023-05-05	
x.xxx ±0.10	Check:	Daniel	2023-05-05	

NingBo KLS ELECTRONIC CO.,L TD.