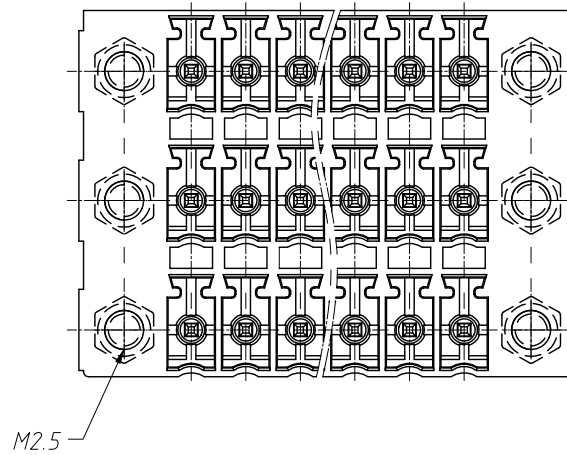
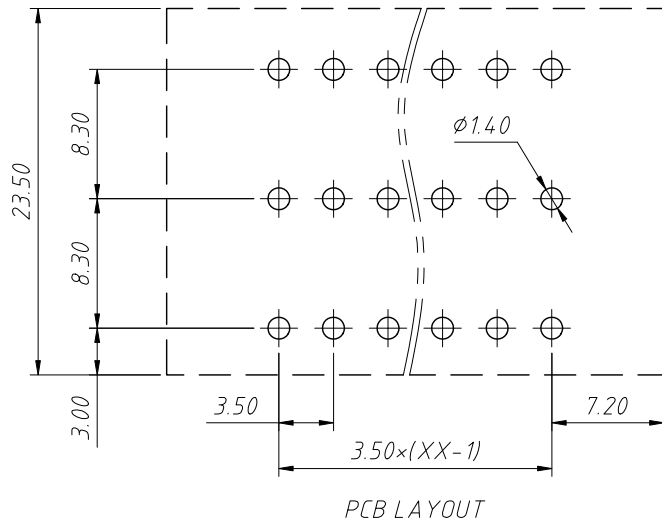


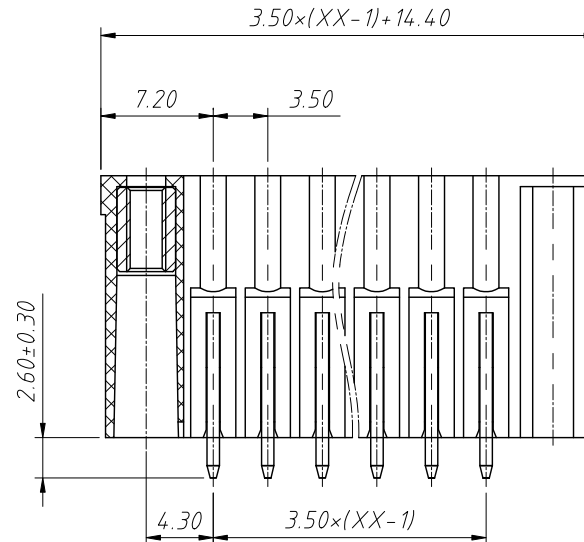
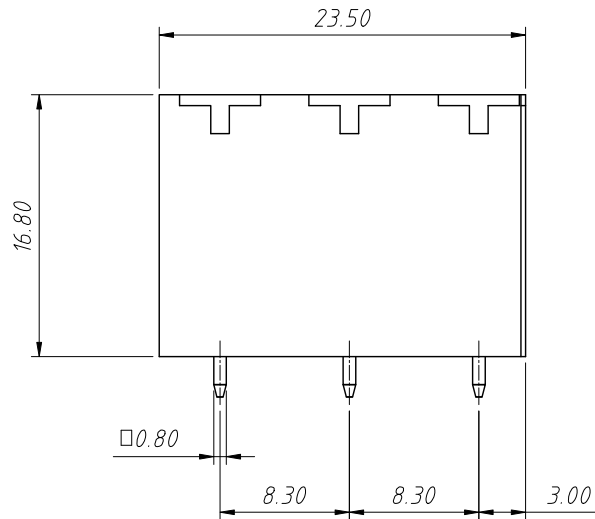
1 RoHS Compliance



Material:  
Insulation: PBT, UL 94V-0  
Contactor: Copper alloy, Sn plated

Electrical:  
Rated Voltage: 300V  
Rated Current: 8A  
Withstanding Voltage: 1600VAC (1min)

Mechanical:  
Pin Dimensions: 0.8x0.8mm  
PCB Hole Diameter:  $\phi 1.4$ mm  
Operating temperature: -30°C to +120°C



Order Information:  
L-KLS2-EDAV3M-3.50-XXP-X

L: RoHS  
Terminal Block  
Pitch: 3.50mm  
No.: of 3x02 ~ 3x24 Pole  
Color:  
1=Gray 2=Blue 3=Black  
4=Green 5=Orange 6=Red  
7=Transp 8=Yellow 9=White

ANGLE TOLERANCE	PROJECTION	Description:	
$\pm 3^\circ$		3.50mm Pluggable terminal block	
GENERAL TOLERANCE	UNITS	mm	KLS P/N:
x.x $\pm 0.30$	SHEET SIZE	A4	L-KLS2-EDAV3M-3.50-XXP-X
x.xx $\pm 0.20$	Draw:	Daniel	2023-05-05
x.xxx $\pm 0.10$	Check:	Daniel	2023-05-05



NingBo KLS ELECTRONIC CO.,L TD.