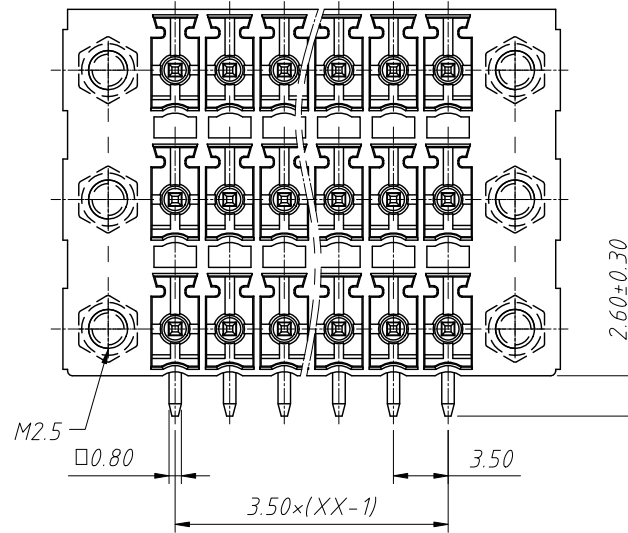
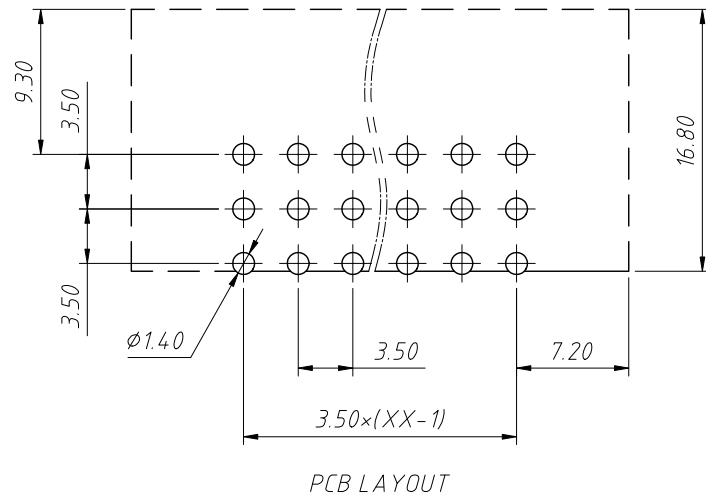


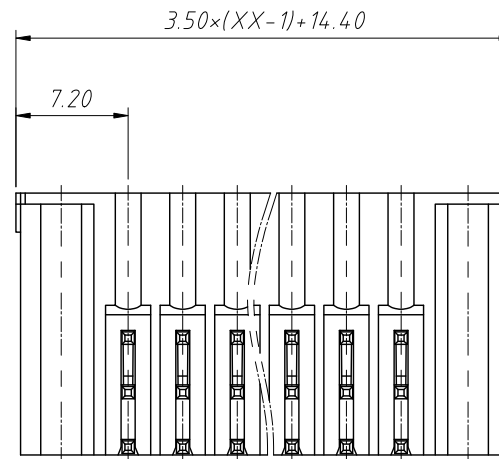
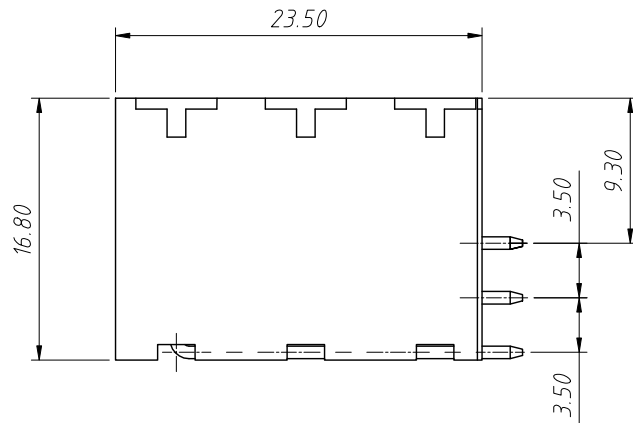
1 RoHS Compliance



Material:  
 Insulation: PBT, UL 94 V-0  
 Contactor: Copper alloy, Sn plated

Electrical:  
 Rated Voltage: 300V  
 Rated Current: 8A  
 Withstanding Voltage: 1600VAC (1min)

Mechanical:  
 Pin Dimensions: 0.8×0.8mm  
 PCB Hole Diameter:  $\phi 1.4$ mm  
 Operating temperature: -30°C to +120°C



Order Information:  
 L-KLS2-EDAR3M-3.50-XXP-X

L: RoHS  
 Terminal Block  
 Pitch: 3.50mm  
 No.: of 3×02 3×24 Pole  
 Color:  
 1=Gray 2=Blue 3=Black  
 4=Green 5=Orange 6=Red  
 7=Transp 8=Yellow 9=White

ANGLE TOLERANCE	PROJECTION	Description:	
$\pm 3^\circ$			3.50mm Pluggable terminal block
GENERAL TOLERANCE	UNITS	mm	KLS P/N:
x.x $\pm 0.30$	SHEET SIZE	A4	L-KLS2-EDAR3M-3.50-XXP-X
x.xx $\pm 0.20$	Draw:	Daniel	2023-05-05
x.xxx $\pm 0.10$	Check:	Daniel	2023-05-05



NingBo KLS ELECTRONIC CO.,LTD.