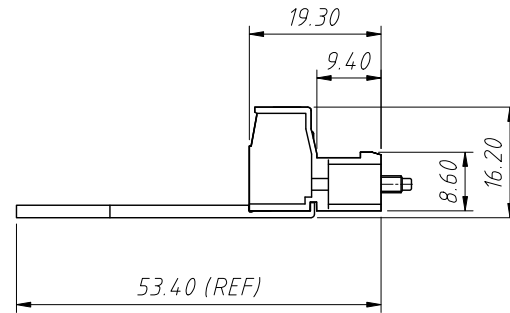
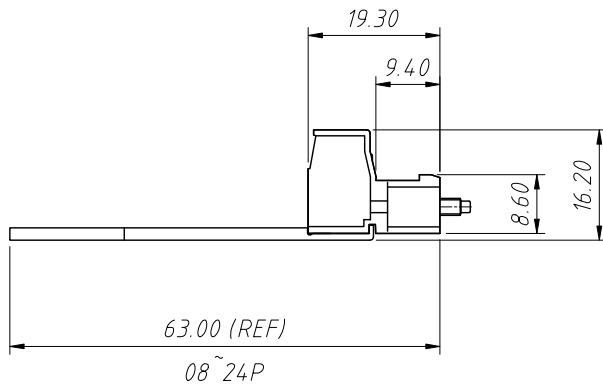
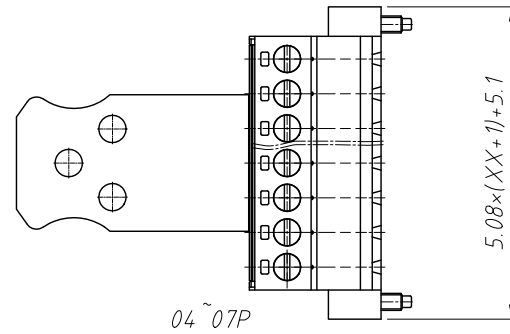
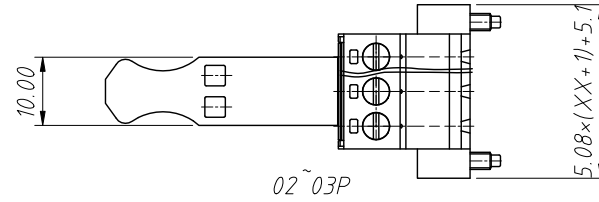
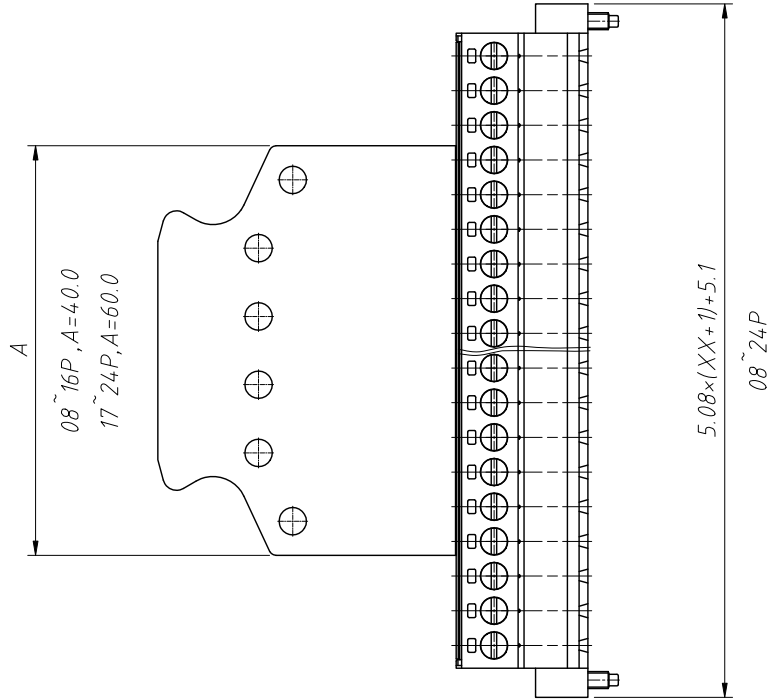


1 RoHS Compliance



Material:
Insulation: PA66, UL 94 V-0
Contactor: Copper alloy, Sn plated

Electrical:
Rated Voltage: 300V
Rated Current: 15A
Withstanding Voltage: 1600VAC (1min)

Mechanical:
Wire Range: 12-28AWG
Stripping Length: 7-8mm
Screw: M3/Torque: 0.5N.m Max
Operating temperature: -40°C to +105°C

Order Information:
L-KLS2-DGKSM-5.08-XXP-X

L: RoHS
Terminal Block
Pitch: 5.08mm
No.: of 02 ~ 24 Pole
Color:

1=Gray 2=Blue 3=Black
4=Green 5=Orange 6=Red
7=Transp 8=Yellow 9=White

ANGLE TOLERANCE	PROJECTION	Description:	5.08mm Pluggable terminal block	
±3°				
GENERAL TOLERANCE	UNITS	mm	KLS P/N:	L-KLS2-DGKSM-5.08-XXP-X
x.x ±0.30	SHEET SIZE	A4		
x.xx ±0.20	Draw:	Daniel	2023-05-05	NingBo KLS ELECTRONIC CO.,L TD.
x.xxx ±0.10	Check:	Daniel	2023-05-05	