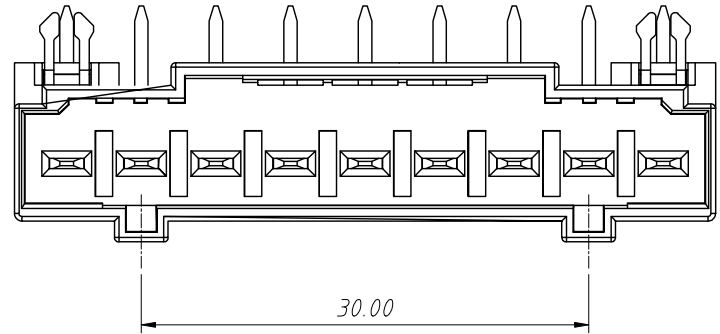
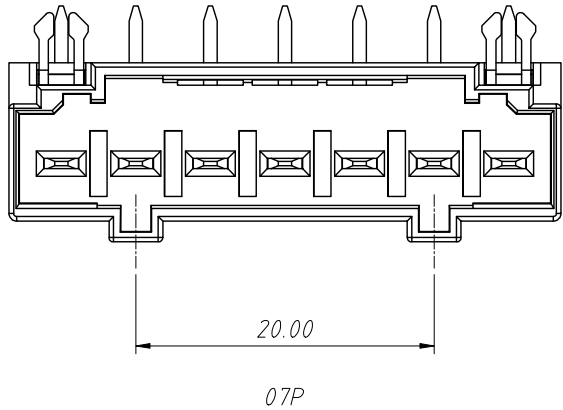
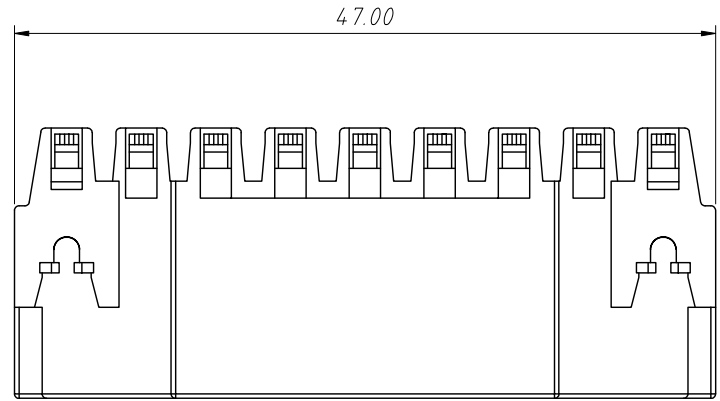
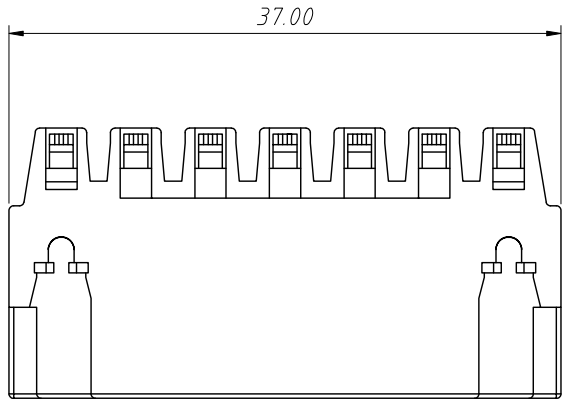


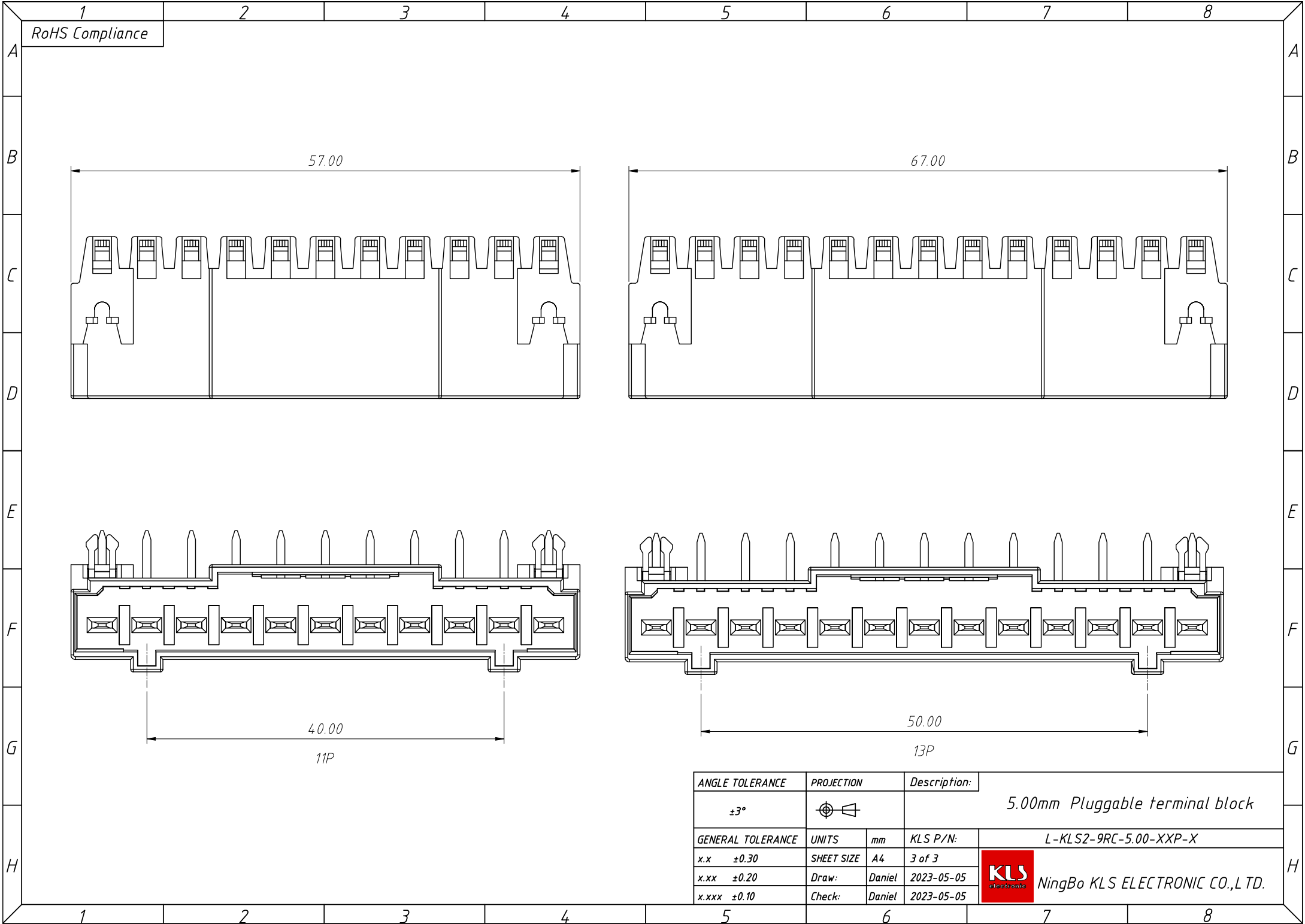
1
RoHS Compliance



ANGLE TOLERANCE		PROJECTION		Description:	
±3°				5.00mm Pluggable terminal block	
GENERAL TOLERANCE		UNITS	mm	KLS P/N:	L-KLS2-9RC-5.00-XXP-X
x.x	±0.30	SHEET SIZE	A4	2 of 3	NingBo KLS ELECTRONIC CO.,L TD.
x.xx	±0.20	Draw:	Daniel	2023-05-05	
x.xxx	±0.10	Check:	Daniel	2023-05-05	

09P

1
RoHS Compliance



ANGLE TOLERANCE	PROJECTION	Description:		
±3°		5.00mm Pluggable terminal block		
GENERAL TOLERANCE	UNITS	mm	KLS P/N:	L-KLS2-9RC-5.00-XXP-X
x.x ±0.30	SHEET SIZE	A4	3 of 3	NingBo KLS ELECTRONIC CO.,L TD.
x.xx ±0.20	Draw:	Daniel	2023-05-05	
x.xxx ±0.10	Check:	Daniel	2023-05-05	