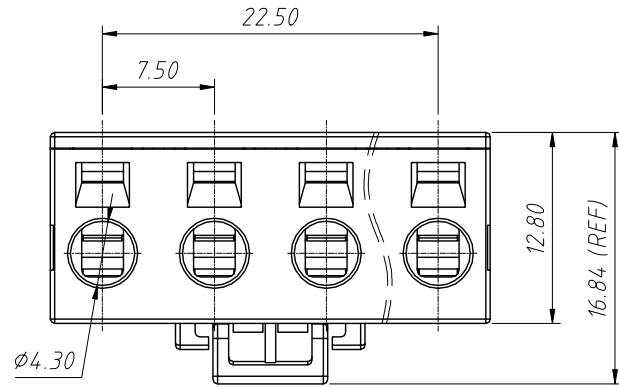


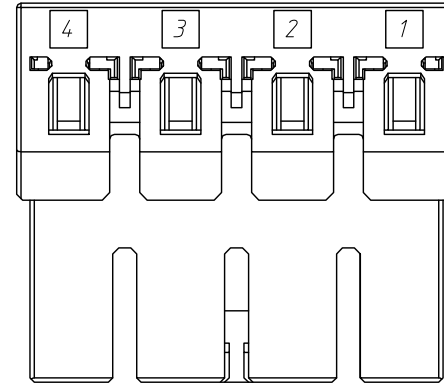
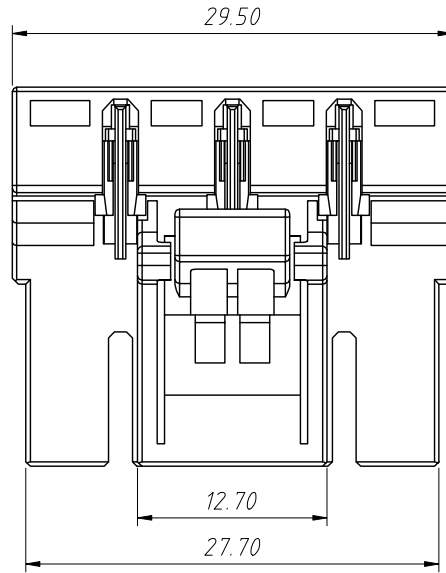
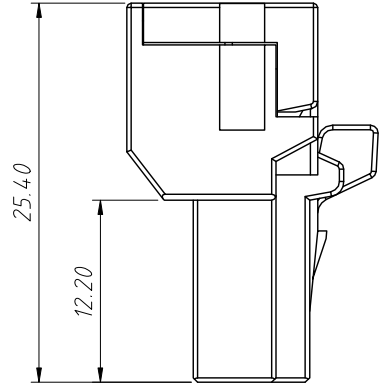
1 RoHS Compliance



Material:
 Insulation: PA66, UL 94V-0
 Contactor: Copper alloy, Au plated Area

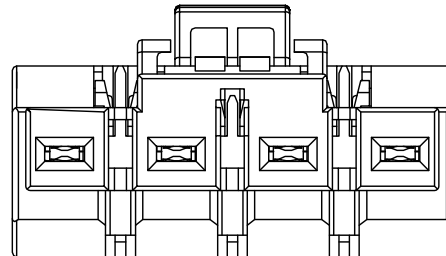
Electrical:
 Rated Voltage: 300V
 Rated Current: 16A
 Withstanding Voltage: 1600VAC(1min)

Mechanical:
 Wire Range: 12-28AWG
 Stripping Length: 7-8mm
 Operating temperature: -40°C to +105°C



Order Information:
 L-KLS2-9KS-7.50-XXP-X

L: RoHS
 Terminal Block
 Pitch: 7.50mm
 No.: of 04 Pole
 Color:
 1=Gray 2=Blue 3=Black
 4=Green 5=Orange 6=Red
 7=Transp 8=Yellow 9=White



ANGLE TOLERANCE	PROJECTION	Description:	7.50mm Pluggable terminal block	
±3°				
GENERAL TOLERANCE	UNITS	mm	KLS P/N:	L-KLS2-9KS-7.50-XXP-X
x.x ±0.30	SHEET SIZE	A4		
x.xx ±0.20	Draw:	Daniel	2023-05-05	NingBo KLS ELECTRONIC CO.,L TD.
x.xxx ±0.10	Check:	Daniel	2023-05-05	