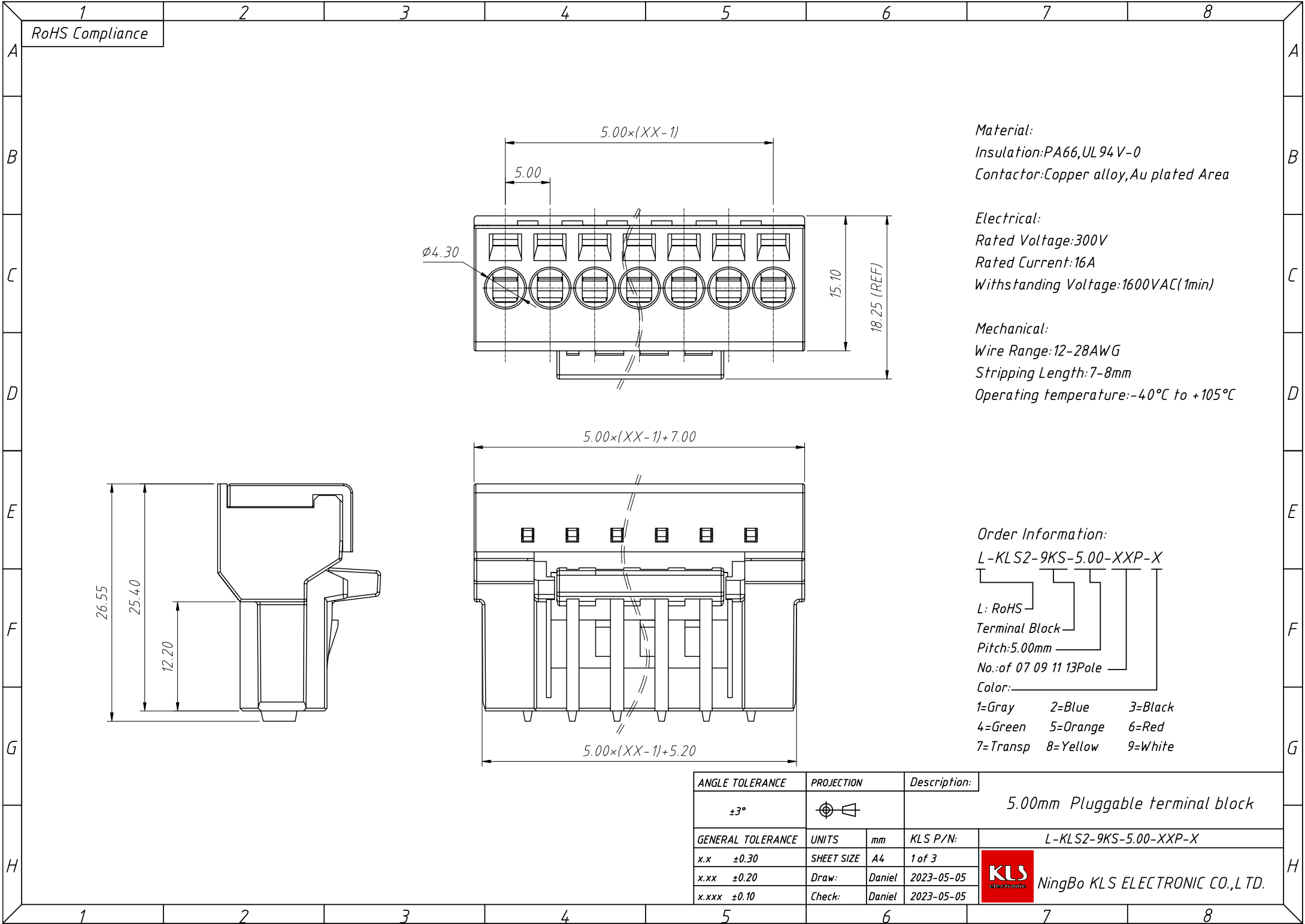


1
RoHS Compliance



Material:
 Insulation: PA66, UL 94V-0
 Contactor: Copper alloy, Au plated Area

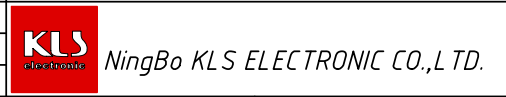
Electrical:
 Rated Voltage: 300V
 Rated Current: 16A
 Withstanding Voltage: 1600VAC(1min)

Mechanical:
 Wire Range: 12-28AWG
 Stripping Length: 7-8mm
 Operating temperature: -40°C to +105°C

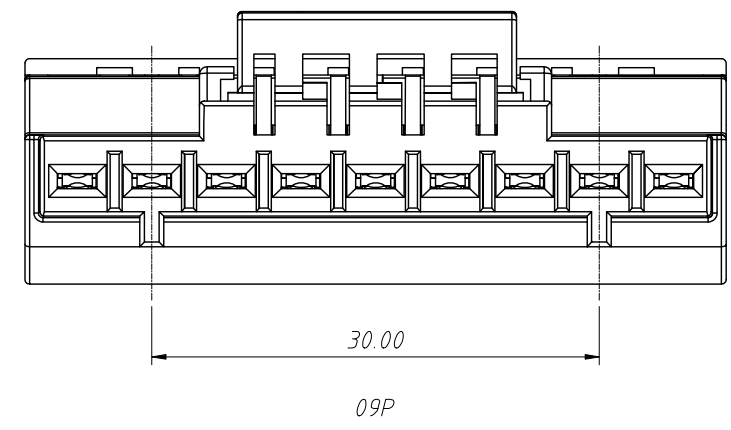
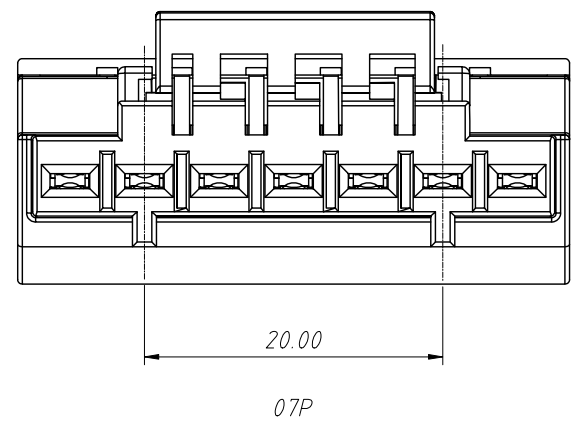
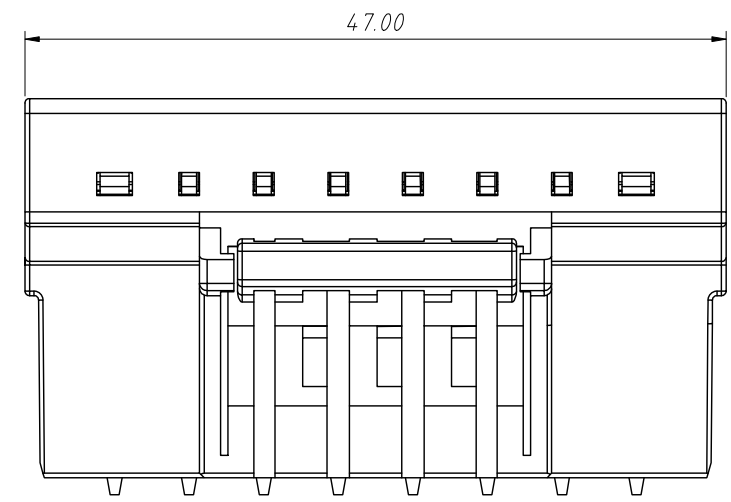
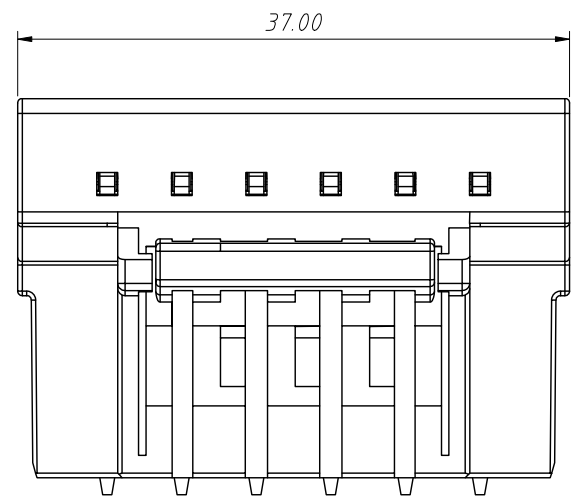
Order Information:
 L-KLS2-9KS-5.00-XXP-X

L: RoHS
 Terminal Block
 Pitch: 5.00mm
 No.: of 07 09 11 13 Pole
 Color:
 1=Gray 2=Blue 3=Black
 4=Green 5=Orange 6=Red
 7=Transp 8=Yellow 9=White

ANGLE TOLERANCE	PROJECTION		Description:
$\pm 3^\circ$			5.00mm Pluggable terminal block
GENERAL TOLERANCE	UNITS	mm	KLS P/N:
x.x ± 0.30	SHEET SIZE	A4	L-KLS2-9KS-5.00-XXP-X
x.xx ± 0.20	Draw:	Daniel	2023-05-05
x.xxx ± 0.10	Check:	Daniel	2023-05-05

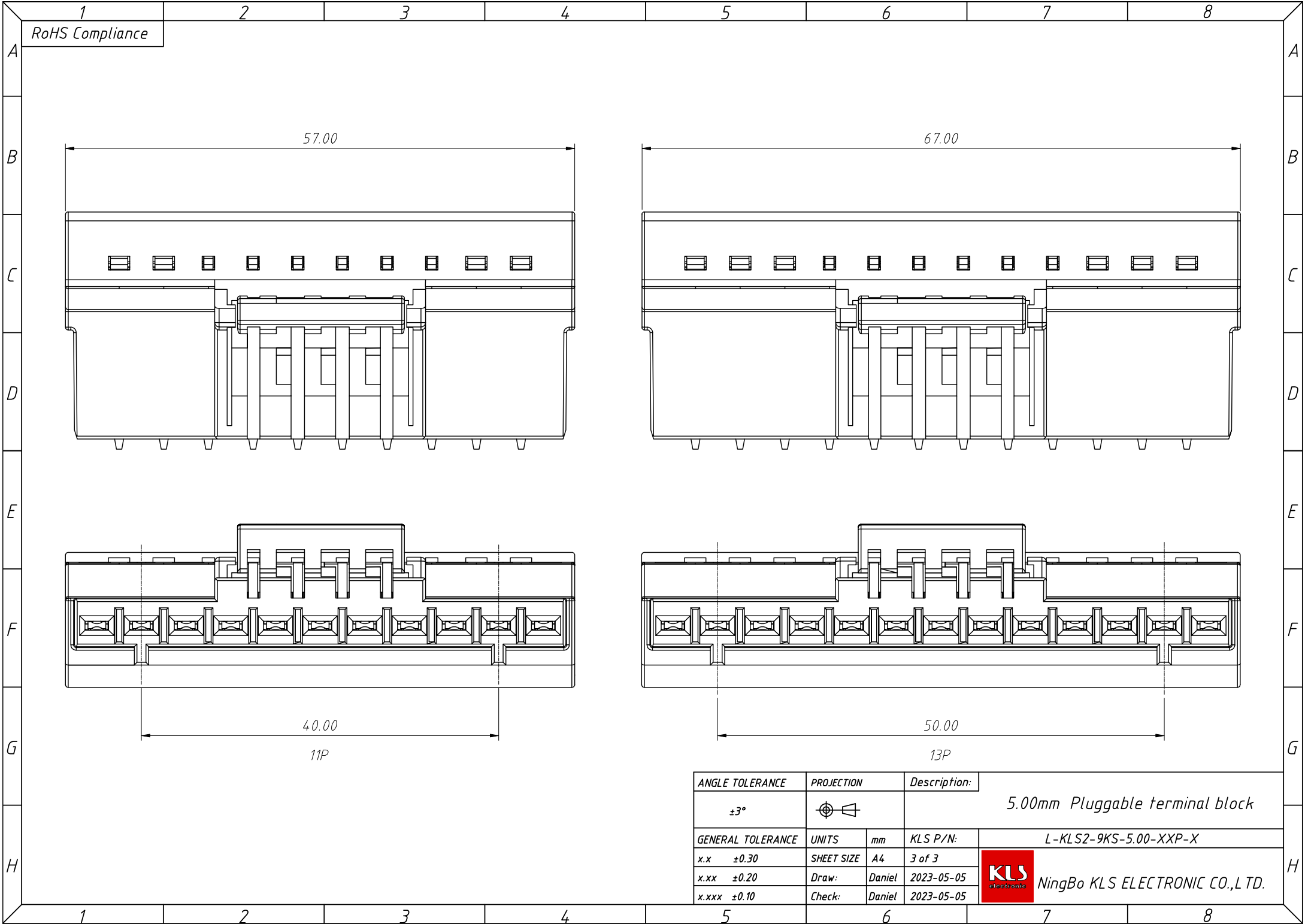


1
RoHS Compliance



ANGLE TOLERANCE	PROJECTION	Description:		
±3°		5.00mm Pluggable terminal block		
GENERAL TOLERANCE	UNITS	mm	KLS P/N:	L-KLS2-9KS-5.00-XXP-X
x.x ±0.30	SHEET SIZE	A4	2 of 3	NingBo KLS ELECTRONIC CO.,LTD.
x.xx ±0.20	Draw:	Daniel	2023-05-05	
x.xxx ±0.10	Check:	Daniel	2023-05-05	

1
RoHS Compliance



ANGLE TOLERANCE	PROJECTION	Description:		
±3°		5.00mm Pluggable terminal block		
GENERAL TOLERANCE	UNITS	mm	KLS P/N:	L-KLS2-9KS-5.00-XXP-X
x.x ±0.30	SHEET SIZE	A4	3 of 3	NingBo KLS ELECTRONIC CO.,LTD.
x.xx ±0.20	Draw:	Daniel	2023-05-05	
x.xxx ±0.10	Check:	Daniel	2023-05-05	