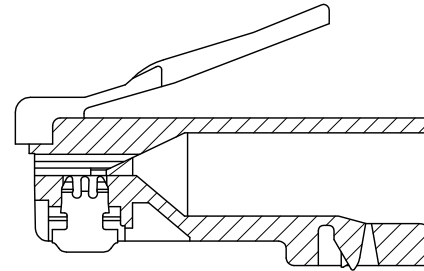
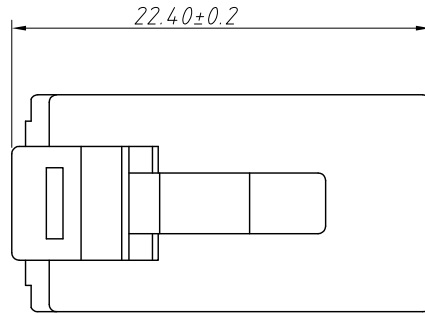


1 RoHS Compliance



SECTION A-A

Material:
Housing: Polycarbonate, Transparent
UL 94 V-0 or UL 94 V-2
Contact: Brass, Gold Plating

Electric:
Rated Current: 125 V AC, 1.5A@25°C
Contact Resistance: 20mΩ Max.
Insulation Resistance: 500MΩ Min, 100V DC/min
Withstand voltage: 1000V AC/1 minute
No Breakdown

Mechanical:
Insertion Force: 30N Max.
Withdrawal Force: 30N Max.
Durability: 750 Cycles Min.
Operation Temperature: -40°C ~ +85°C

ORDER INFORMATION:

L-KLS12 - U6C23 - 8P8C - xx D X

RoHS

Point No.

Gold Plating:

01-Fu" gold plating
02-3u" gold plating
03-6u" gold plating
15-15u" gold plating
30-30u" gold plating
50-50u" gold plating

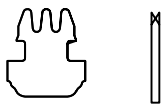
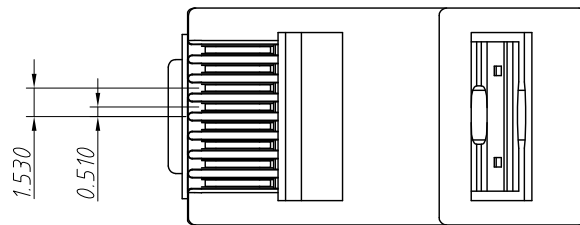
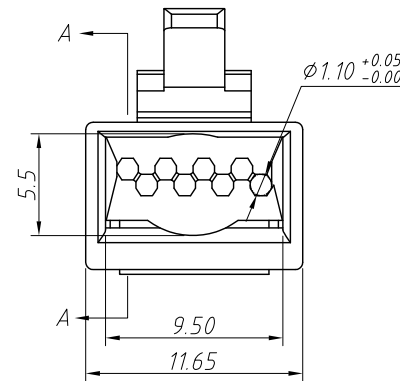
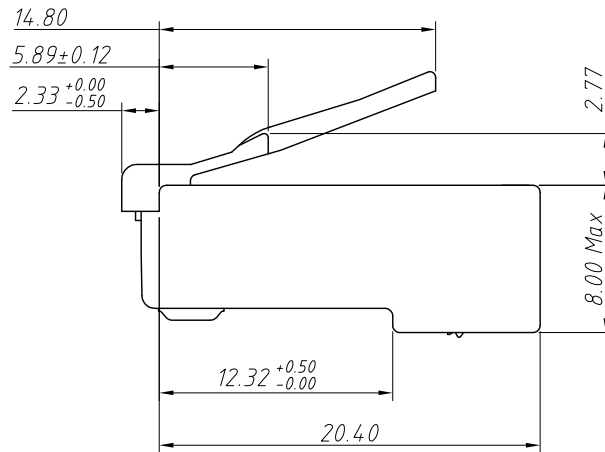
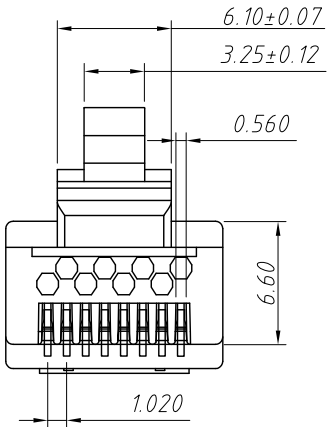
BLADE type:

Flammability:

Blank - UL 94 V-2
0 - UL 94 V-0

A
B
C
D
E
F
G
H

A
B
C
D
E
F
G
H



Type D

BLADE Type

ANGLE TOLERANCE	PROJECTION	Description:	
±2°		UTP CAT6 8P8C Modular plugs for front Cable	
GENERAL TOLERANCE	UNITS	mm	KLS P/N:
x.x ±0.20	SHEET SIZE	A4	L-KLS12-U6C23-8P8C-XXDX
x.xx ±0.10	Draw:	Daniel	2023-06-10
x.xxx ±0.05	Check:	Daniel	2023-06-10



NingBo KLS ELECTRONIC CO.,L TD.

1 2 3 4 5 6 7 8