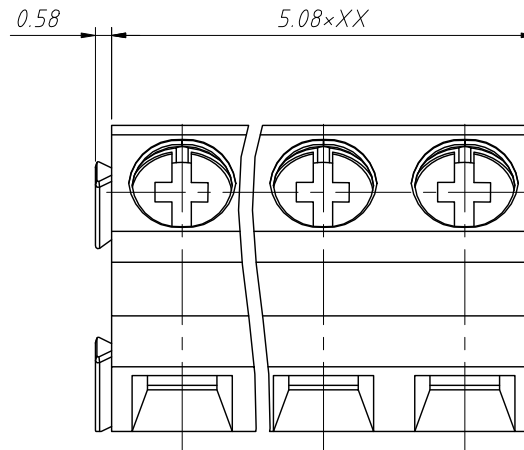


PCB Layout

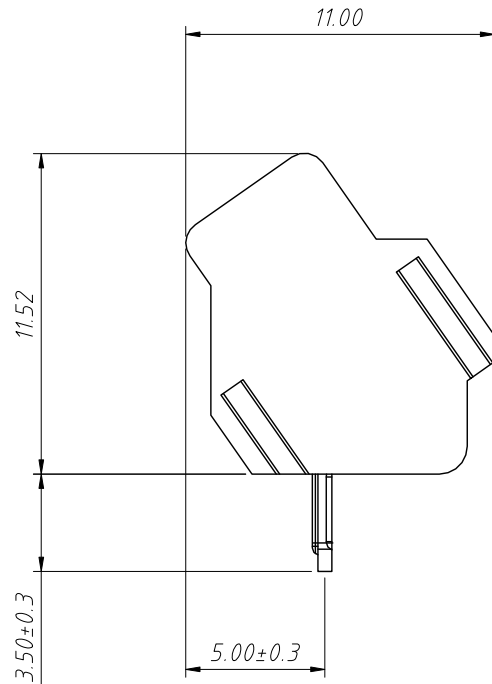


Material:
 Insulation: PA66, UL 94 V-0
 Contactor: Copper alloy, Sn plated

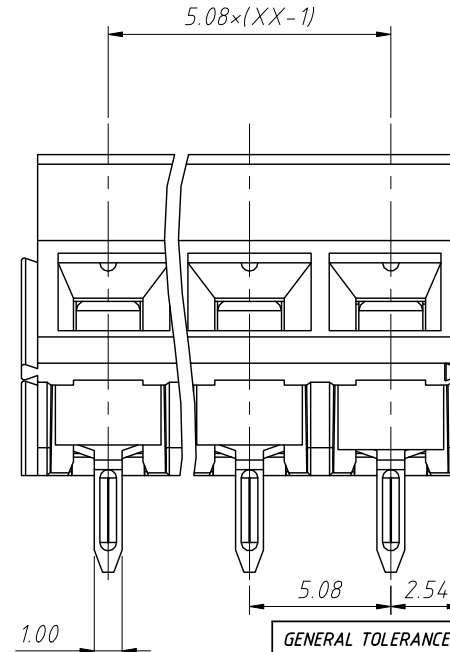
Electrical:
 Rated Voltage: 300V
 Rated Current: 12A
 Withstanding Voltage: 1600VAC (1min)
 Wire range: 14-26AWG

Mechanical:
 Stripping Length: 5-6mm
 Screw Torque: M2.5 (Max) (N.m)
 Operating temperature: -40°C to +105°C
 Soldering temperature: 260°C/5S
 Pin Dimensions: 0.5x1.0 mm
 PCB Hole Diameter: 1.3mm

Order Information
 L-KLS2-172L-5.08-XXP-X-X
 RoHS
 Terminal Block
 Pitch: 5.08mm
 No. of 02~24 Pole
 Color: 1=Gray 2=Blue 3=Black
 4=Green 5=Orange 6=Red
 7=Transp. 8=Yellow 9=White
 Screw: S-Slot Screw C-Cross Screw



Section: A-A



GENERAL TOLERANCE		ANGLE TOLERANCE		Description:	
X.	±0.60	X.	±5°	5.00mm Pitch PCB Screw Terminal Block	
.X	±0.38	.X	±3°		
.XX	±0.25	.XX	±2°		
Draw by	2023-03-03	PROJECTION		KLS P/N:	L-KLS2-172L-5.08-XXP-X-X
Check by	2023-03-03	UNITS	mm		NingBo KLS ELECTRONIC CO.,L TD.
SCALE		SHEET SIZE	A4		