

1
RoHS Compliance

2

3

4

5

6

7

8

A

B

C

D

E

F

G

H

A

B

C

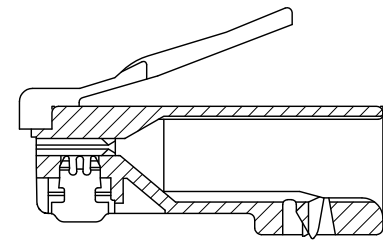
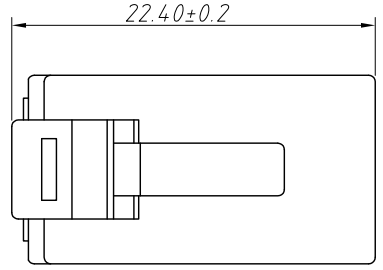
D

E

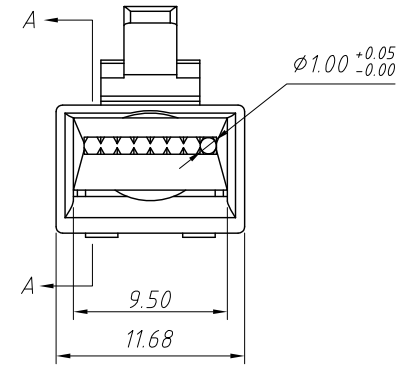
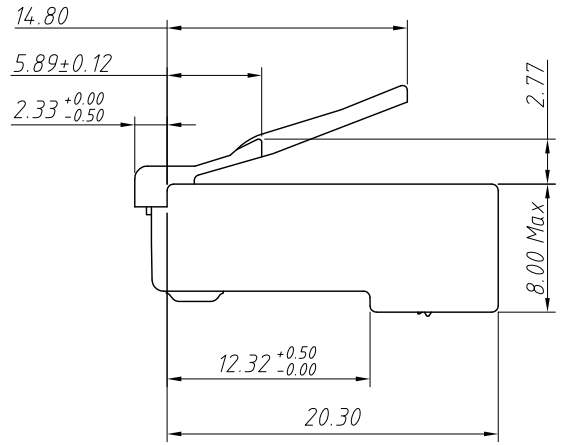
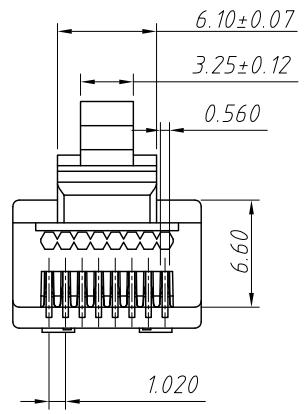
F

G

H



SECTION A-A



Material:
Housing: Polycarbonate, Transparent
UL 94V-0 or UL 94V-2
Contact: Brass, Gold Plating

Electric:
Rated Current: 125 V AC, 1.5A@25°C
Contact Resistance: 20mΩ Max.
Insulation Resistance: 500MΩ Min, 100V DC/min
Withstand voltage: 1000V AC/1 minute
No Breakdown

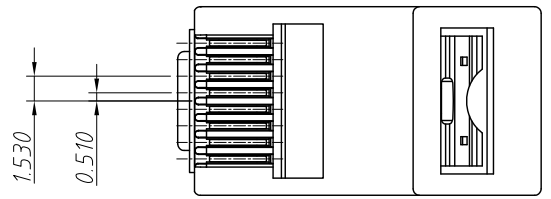
Mechanical:
Insertion Force: 30N Max.
Withdrawal Force: 30N Max.
Durability: 750 Cycles Min.
Operation Temperature: -40°C ~ +85°C

ORDER INFORMATION:

L-KLS12 - U6C22 - 8P8C- xx D X

RoHS _____
Point No. _____
Gold Plating: _____
01-Fu" gold plating
02-3u" gold plating
03-6u" gold plating
15-15u" gold plating
30-30u" gold plating
50-50u" gold plating

BLADE type: _____
Flammability: _____
Blank - UL 94V-2
0 - UL 94V-0



Type D

BLADE Type

ANGLE TOLERANCE		PROJECTION		Description:	
±2°				UTP CAT6 8P8C Modular plugs for front Cable	
GENERAL TOLERANCE		UNITS	mm	KLS P/N:	L-KLS12-U6C22-8P8C-XXDX
x.x	±0.20	SHEET SIZE	A4		
x.xx	±0.10	Draw:	Daniel	2023-06-10	
x.xxx	±0.05	Check:	Daniel	2023-06-10	

KLS
NingBo KLS ELECTRONIC CO.,LTD.

1

2

3

4

5

6

7

8