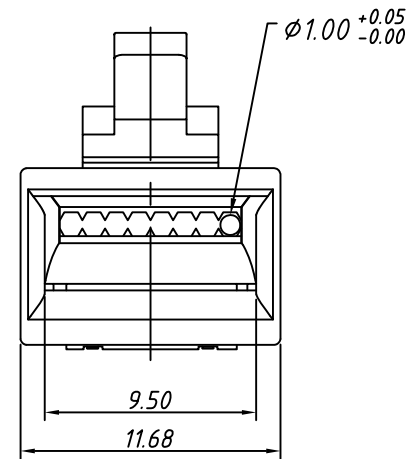
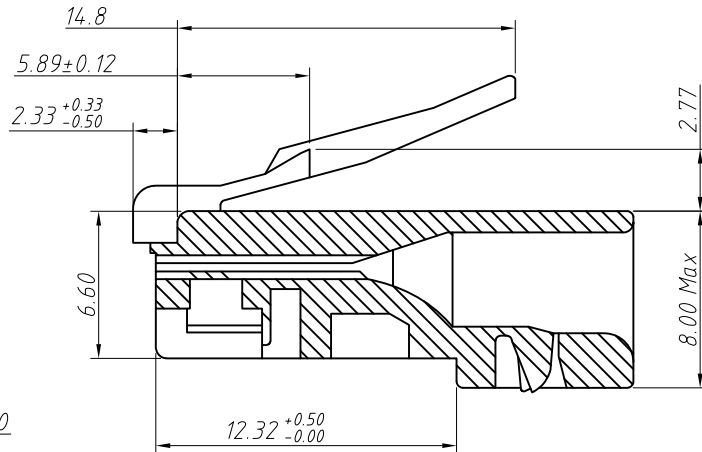
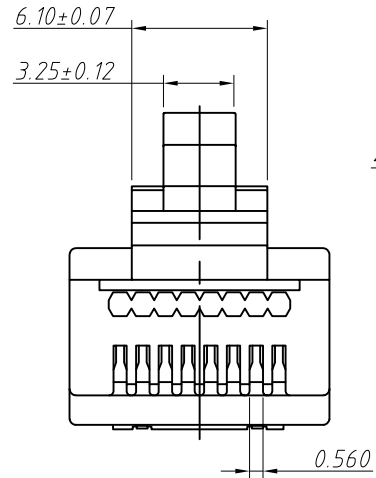


1 RoHS Compliance



Material:  
Housing: Polycarbonate, Transparent  
UL 94 V-0 or UL 94 V-2  
Contact: Brass, Gold Plating

Electric:  
Rated Current: 125 V AC, 1.5A@25°C  
Contact Resistance: 20mΩ Max.  
Insulation Resistance: 500MΩ Min, 100V DC/min  
Withstand voltage: 1000V AC/1 minute  
No Breakdown

Mechanical:  
Insertion Force: 30N Max.  
Withdrawal Force: 30N Max.  
Durability: 750 Cycles Min.  
Operation Temperature: -40°C ~ +85°C

ORDER INFORMATION:

L-KLS12 - U5E22 - 8P8C- xx D X

RoHS

Point No.

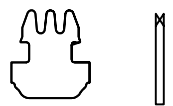
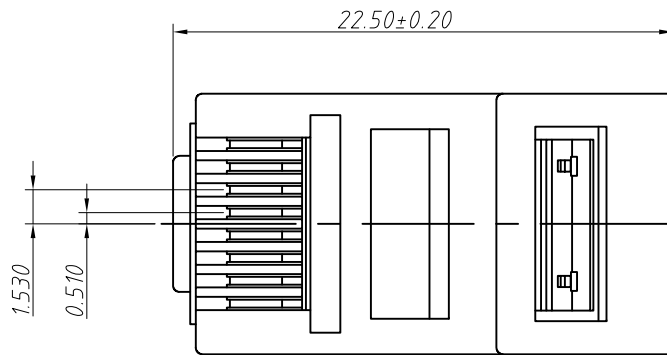
Gold Plating:

- 01-Fu" gold plating
- 02-3u" gold plating
- 03-6u" gold plating
- 15-15u" gold plating
- 30-30u" gold plating
- 50-50u" gold plating

BLADE type:

Flammability:

- Blank - UL 94 V-2
- 0 - UL 94 V-0



Type D

BLADE Type

ANGLE TOLERANCE		PROJECTION		Description:	
±3°				UTP CAT5E 8P8C Modular Plugs For Front Cable	
GENERAL TOLERANCE		UNITS	mm	KLS P/N:	
x.x	±0.20	SHEET SIZE	A4	L-KLS12-U5E22-8P8C-XXDX	
x.xx	±0.10	Draw:	Daniel	2023-06-03	
x.xxx	±0.05	Check:	Daniel	2023-06-03	

NingBo KLS ELECTRONIC CO.,L TD.