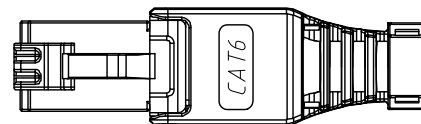
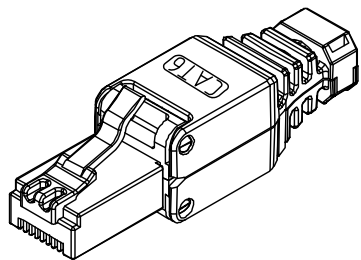
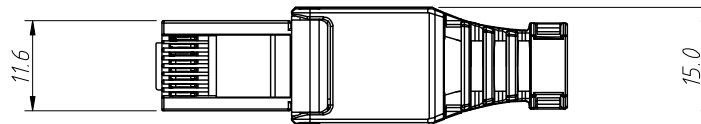
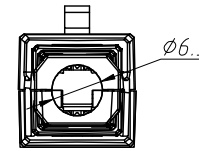
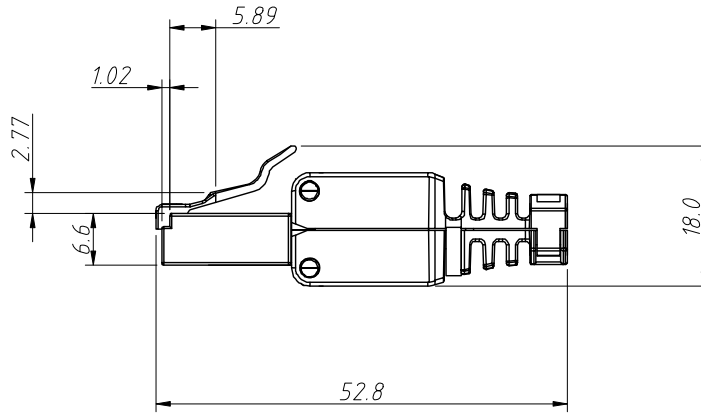
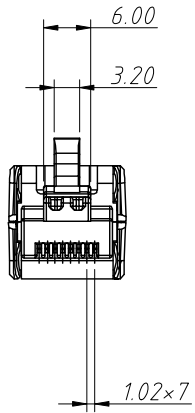


RoHS Compliance

Material:  
Housing: Polycarbonate  
Contact: Brass, Gold Plating

Electric:  
Rated Current: 125 V AC, 1.5A@25°C  
Contact Resistance: 20mΩ Max.  
Insulation Resistance: 100MΩ Min, 100V DC/min  
Withstand voltage: 1000V DC/700V AC/60s  
No Breakdown

Mechanical:  
Cable: 23~24AWG  
Durability: 750 Cycles Min.  
Operation Temperature: -40°C ~ +70°C



ANGLE TOLERANCE	PROJECTION	Description:		
±2°		UTP CAT6A 8P8C Tool-Free Modular plugs		
GENERAL TOLERANCE	UNITS	mm	KLS P/N:	L-KLS12-U6C08-8P8C
x.x ±0.20	SHEET SIZE	A4		
x.xx ±0.10	Draw:	Daniel	2023-06-10	NingBo KLS ELECTRONIC CO.,LTD.
x.xxx ±0.05	Check:	Daniel	2023-06-10	