

1  
RoHS Compliance

2

3

4

5

6

7

8

A

A

B

B

C

C

D

D

E

E

F

F

G

G

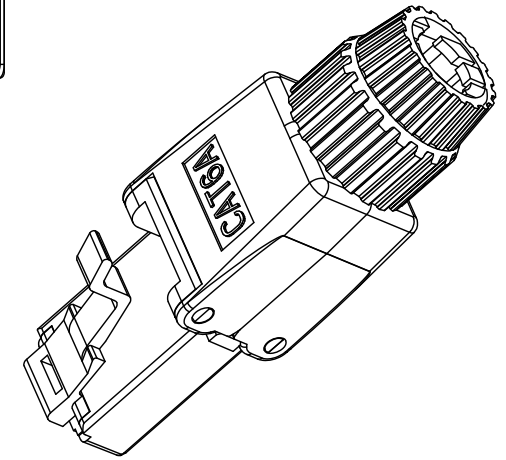
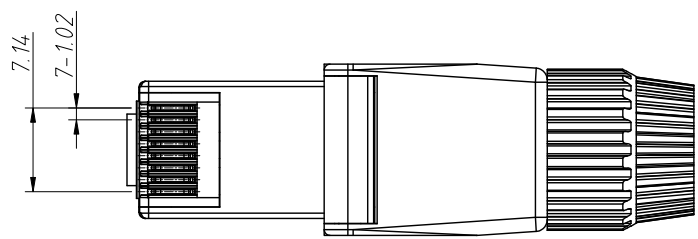
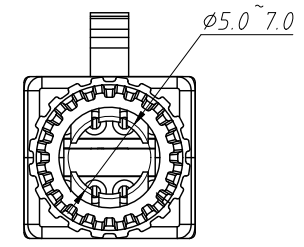
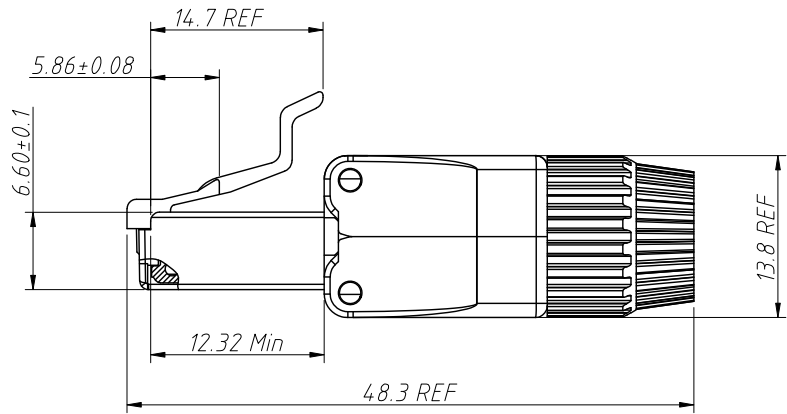
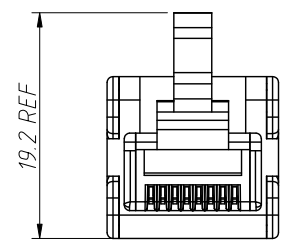
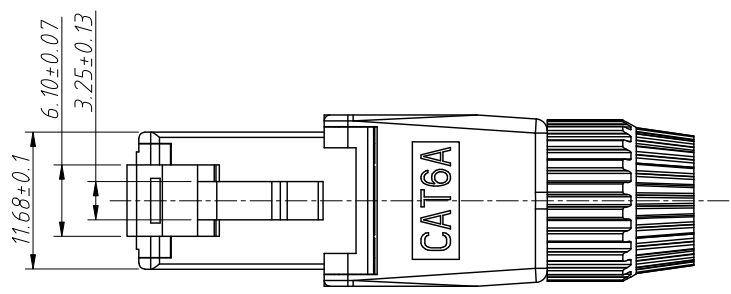
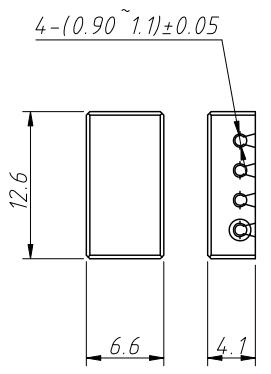
H

H

Material:  
Housing: Polycarbonate  
Contact: Brass,Gold Plating

Electric:  
Rated Current: 125 V AC,1.5A@25°C  
Contact Resistance: 95mΩ Max.  
Insulation Resistance: 100MΩ Min,100V DC/min  
Withstand voltage: 1000V DC/700V AC/60s  
No Breakdown

Mechanical:  
Durability: 750 Cycles Min.  
Operation Temperature:-40°C ~ +85°C



ANGLE TOLERANCE	PROJECTION		Description:	
±3°			UTP CAT6A 8P8C Tool-Free Modular plugs	
GENERAL TOLERANCE	UNITS	mm	KLS P/N:	L-KLS12-U6A07-8P8C
x.x ±0.20	SHEET SIZE	A4	XX	NingBo KLS ELECTRONIC CO.,L TD.
x.xx ±0.10	Draw:	Daniel	2023-06-08	
x.xxx ±0.05	Check:	Daniel	2023-06-08	

1

2

3

4

5

6

7

8