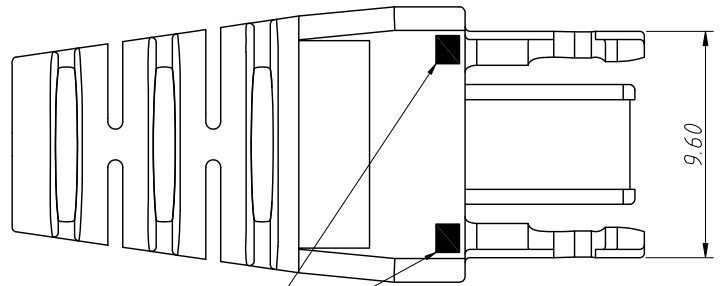
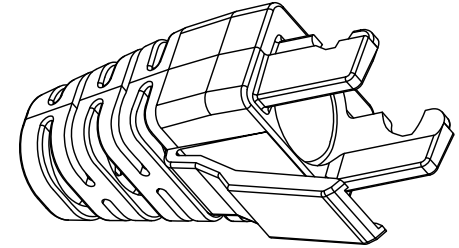
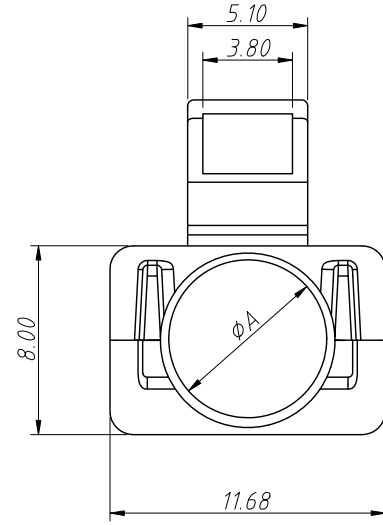
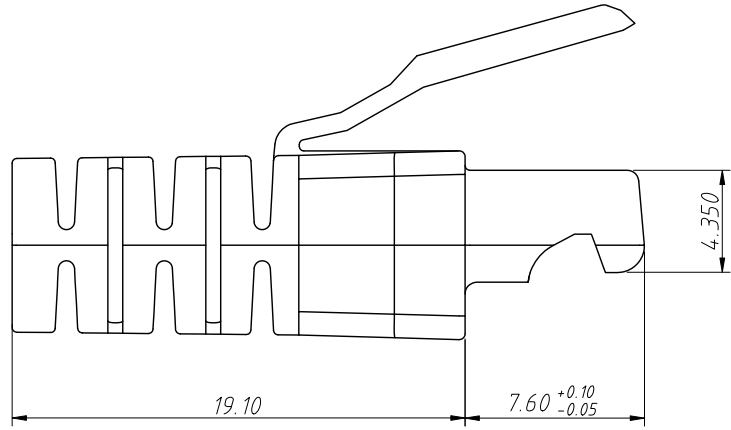


1  
RoHS Compliance

7  
Material:  
Housing: Polycarbonate, Transparent  
Operation Temperature: -40°C ~ +85°C



Thimble Position

A	P/N
$\phi 6.0\text{mm}$	L-KLS12-RJ45-E-A
$\phi 6.7\text{mm}$	L-KLS12-RJ45-E-B

ANGLE TOLERANCE	PROJECTION	Description:	
$\pm 3^\circ$		8P8C Modular plugs Boot	
GENERAL TOLERANCE	UNITS	mm	KLS P/N: L-KLS12-RJ45-E-X
x.x $\pm 0.20$	SHEET SIZE	A4	XX
x.xx $\pm 0.10$	Draw:	Daniel	2023-06-08
x.xxx $\pm 0.05$	Check:	Daniel	2023-06-08



NingBo KLS ELECTRONIC CO.,L TD.