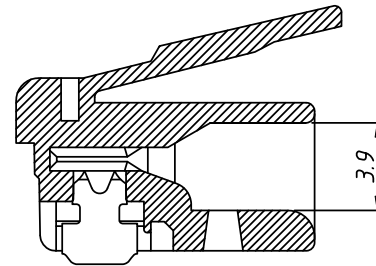
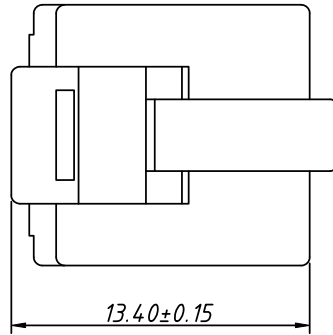


RoHS Compliance

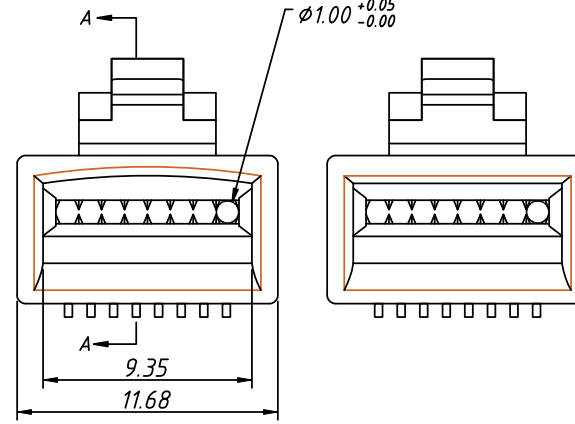
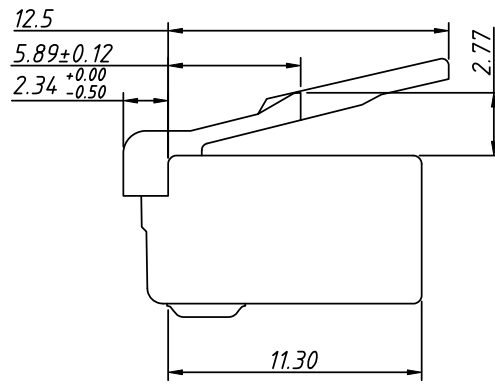
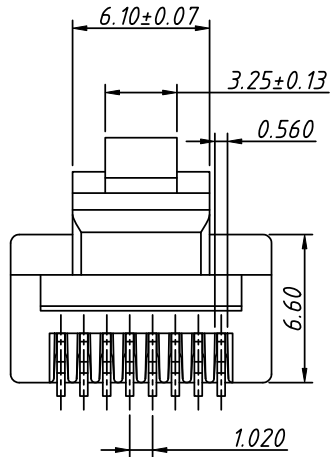


SECTION A-A

Material:
Housing: Polycarbonate, Transparent
UL 94 V-0 or UL 94 V-2
Contact: Brass, Gold Plating

Electric:
Rated Current: 125 V AC, 1.5A@25°C
Contact Resistance: 20mΩ Max.
Insulation Resistance: 500MΩ Min, 100V DC/min
Withstand voltage: 1000V AC/1 minute
No Breakdown

Mechanical:
Insertion Force: 30N Max.
Withdrawal Force: 30N Max.
Durability: 750 Cycles Min.
Operation Temperature: -40°C ~ +85°C



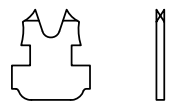
Circular Tail Hole

Square Tail Hole

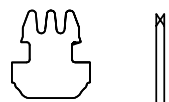
ORDER INFORMATION:

L-KLS12 - RJ45C - 8P8C - xx XX-XX

RoHS:
 Point No.:
 Gold Plating:
 01-Fu" gold plating
 02-3u" gold plating
 03-6u" gold plating
 15-15u" gold plating
 30-30u" gold plating
 50-50u" gold plating
 BLADE type:
 Flammability:
 Blank - UL94V-2 0 - UL94V-0
 Tail Hole:
 Blank-Square KB-Circular

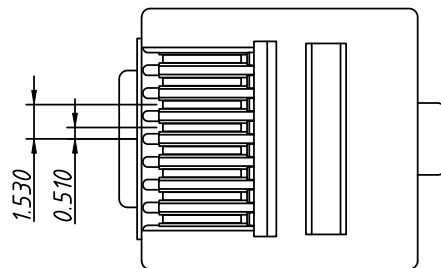


Type A



Type D

BLADE Type



ANGLE TOLERANCE	PROJECTION	Description:		
±3°		UTP CAT5E 8P8C Modular plugs Short type		
GENERAL TOLERANCE	UNITS	mm	KLS P/N:	L-KLS12-RJ45C-8P8C-xxXX-XX
x.x ±0.20	SHEET SIZE	A4	XX	
x.xx ±0.10	Draw:	Daniel	2023-06-08	
x.xxx ±0.05	Check:	Daniel	2023-06-08	

NingBo KLS ELECTRONIC CO.,L TD.