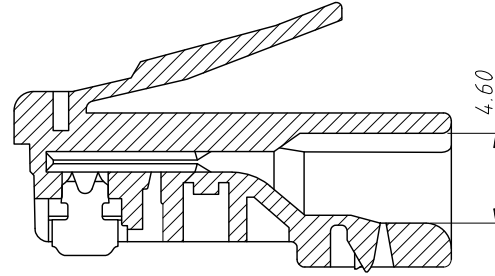
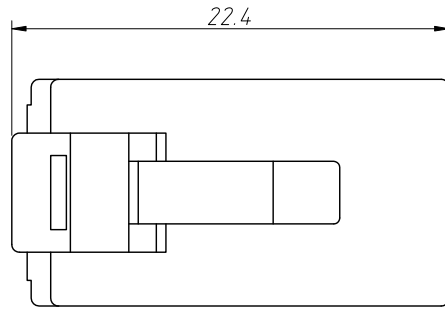


1 RoHS Compliance

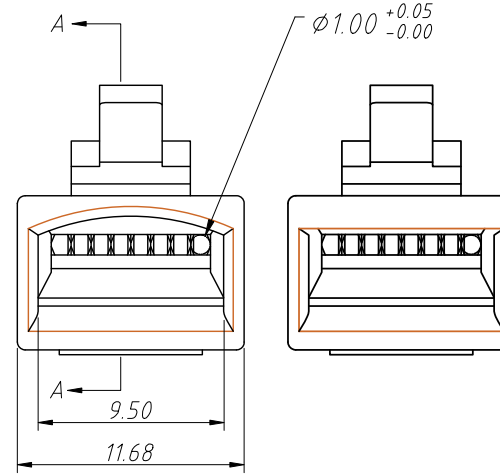
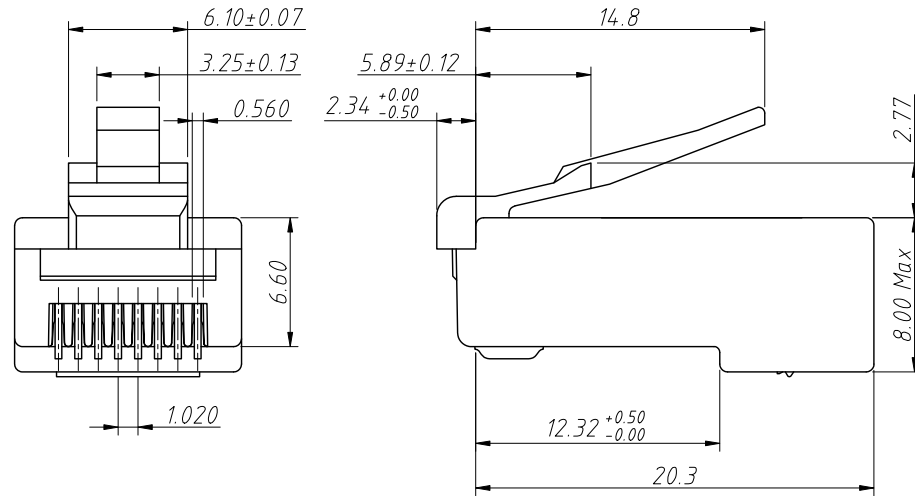


Material:
Housing: Polycarbonate, Transparent
UL 94 V-0 or UL 94 V-2
Contact: Brass, Gold Plating

Electric:
Rated Current: 125 V AC, 1.5A@25°C
Contact Resistance: 20mΩ Max.
Insulation Resistance: 500MΩ Min, 100V DC/min
Withstand voltage: 1000V AC/1 minute
No Breakdown

Mechanical:
Insertion Force: 30N Max.
Withdrawal Force: 30N Max.
Durability: 750 Cycles Min.
Operation Temperature: -40°C ~ +85°C

SECTION A-A



Circular Tail Hole Square Tail Hole

ORDER INFORMATION:

L-KLS12 - RJ45 - 8P8C - xx X X-XX

RoHS

Point No.

Gold Plating:

01-Fu" gold plating
02-3u" gold plating
03-6u" gold plating
15-15u" gold plating
30-30u" gold plating
50-50u" gold plating

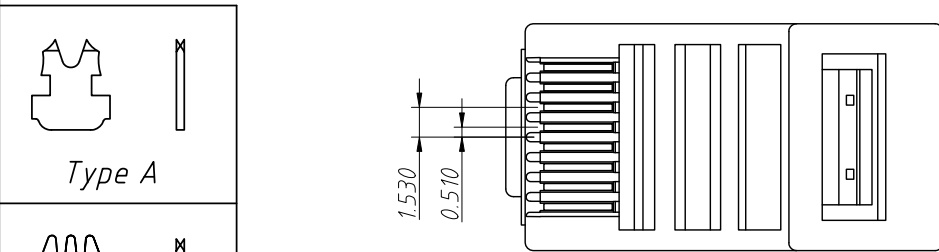
BLADE type:

Flammability:

Blank - UL94 V-2 0 - UL94 V-0

Tail Hole:

Blank-Square KB-Circular



Type A

Type D

BLADE Type

ANGLE TOLERANCE	PROJECTION	Description:	UTP CAT5E 8P8C Modular plugs	
±3°				
GENERAL TOLERANCE	UNITS	mm	KLS P/N:	L-KLS12-RJ45-8P8C-xxXX-XX
x.x ±0.20	SHEET SIZE	A4	XX	
x.xx ±0.10	Draw:	Daniel	2023-06-08	
x.xxx ±0.05	Check:	Daniel	2023-06-08	

NingBo KLS ELECTRONIC CO.,L TD.