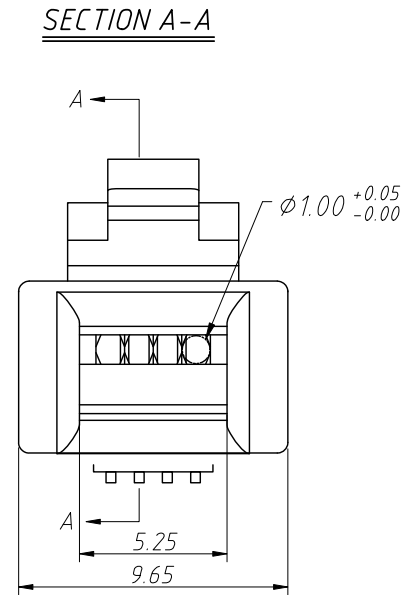
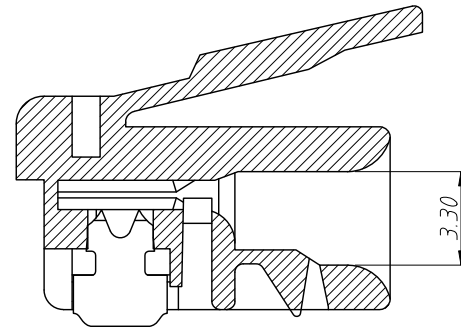
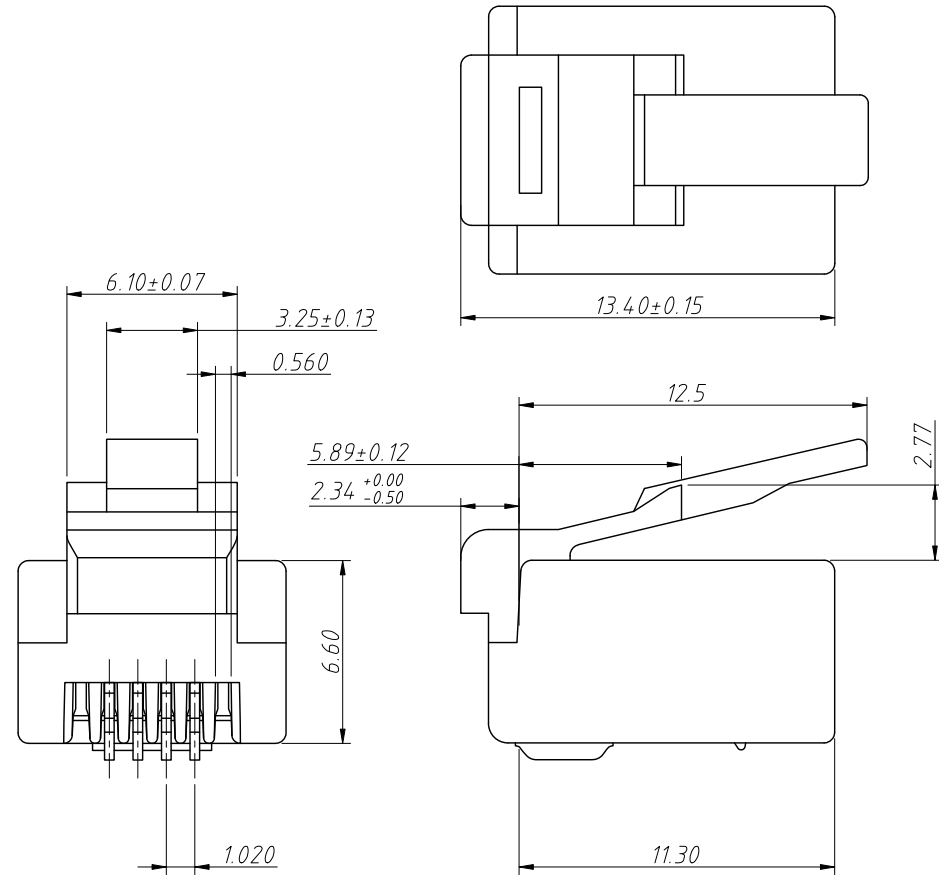


1 RoHS Compliance



Material:
Housing: Polycarbonate, Transparent
UL 94 V-0 or UL 94 V-2
Contact: Brass, Gold Plating

Electric:
Rated Current: 125 V AC, 1.5A@25°C
Contact Resistance: 20mΩ Max.
Insulation Resistance: 500MΩ Min, 100V DC/min
Withstand voltage: 1000V AC/1 minute
No Breakdown

Mechanical:
Insertion Force: 30N Max.
Withdrawal Force: 30N Max.
Durability: 750 Cycles Min.
Operation Temperature: -40°C ~ +85°C

ORDER INFORMATION:

L-KLS12 - RJ12 - 6P6C - xx XX

RoHS

Point No.

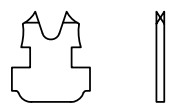
Gold Plating:

- 01-Fu" gold plating
- 02-3u" gold plating
- 03-6u" gold plating
- 15-15u" gold plating
- 30-30u" gold plating
- 50-50u" gold plating

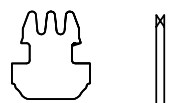
BLADE type:

Flammability:

Blank - UL 94 V-2 0 - UL 94 V-0



Type A



Type D

BLADE Type

ANGLE TOLERANCE	PROJECTION	Description:	UTP CAT3 6P6C RJ12 Modular plugs	
$\pm 3^\circ$				
GENERAL TOLERANCE	UNITS	mm	KLS P/N:	L-KLS12-RJ12-6P6C-xxXX
x.x ± 0.20	SHEET SIZE	A4	XX	
x.xx ± 0.10	Draw:	Daniel	2023-06-08	
x.xxx ± 0.05	Check:	Daniel	2023-06-08	

NingBo KLS ELECTRONIC CO.,L TD.