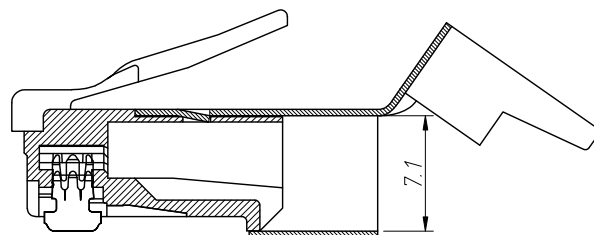
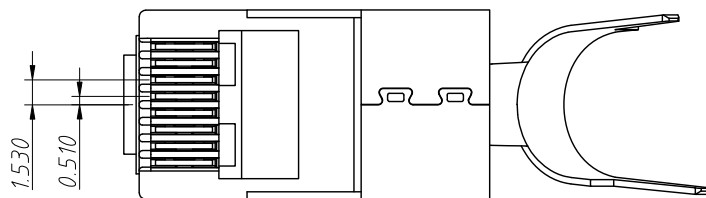
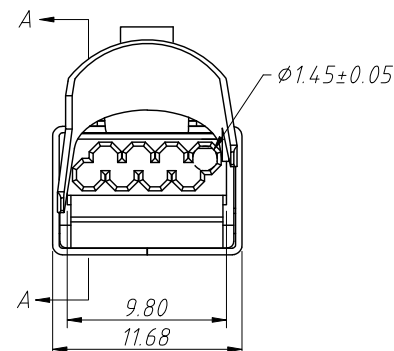
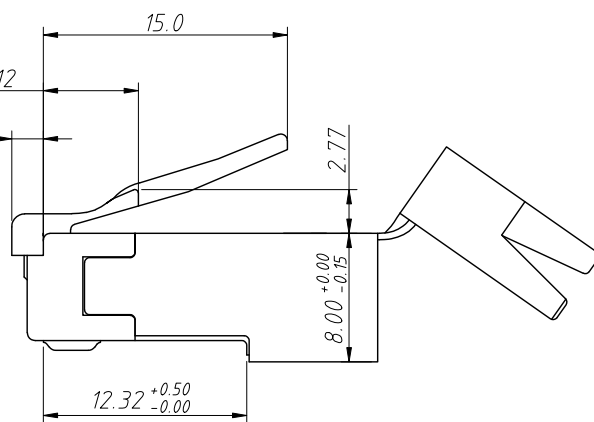
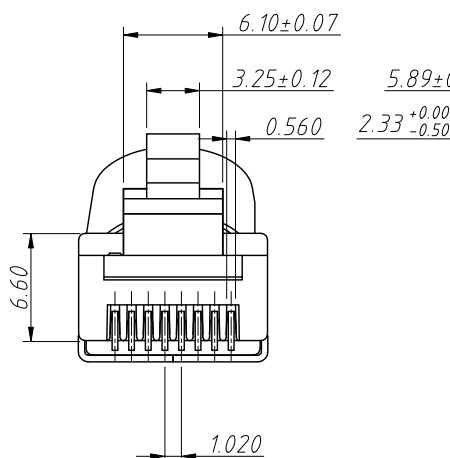
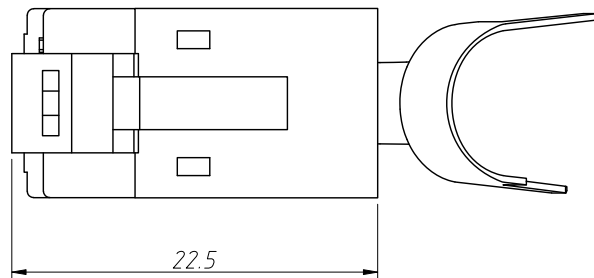
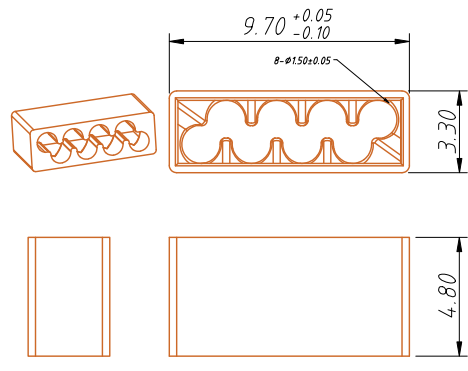


RoHS Compliance



SECTION A-A

Material:
 Housing: Polycarbonate, Transparent
 UL 94 V-0 or UL 94 V-2
 Contact: Brass, Gold Plating
 Shield: Brass T=0.25mm, Nickel Plating
 Electric:
 Rated Current: 125 V AC, 1.5A@25°C
 Contact Resistance: 20mΩ Max.
 Insulation Resistance: 500MΩ Min, 100V DC/min
 Withstand voltage: 1000V AC/1 minute
 No Breakdown
 Mechanical:
 Insertion Force: 30N Max.
 Withdrawal Force: 30N Max.
 Durability: 750 Cycles Min.
 Operation Temperature: -40°C ~ +85°C

ORDER INFORMATION:

L-KLS12 - F7C01 - 8P8C - xx XX-XX

RoHS

Point No.

Gold Plating:

01-Fu" gold plating
 02-3u" gold plating
 03-6u" gold plating
 15-15u" gold plating
 30-30u" gold plating
 50-50u" gold plating

BLADE type:

Flammability:

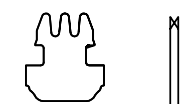
Blank - UL94V-2 0 - UL94V-0

Shield Code:

Blank- Brass shield 01-SPCC Shield



Type A



Type D

BLADE Type

| ANGLE TOLERANCE | PROJECTION | Description: |
|-------------------|------------|-------------------------------------|
| ±3° | | FTP CAT7 8P8C Modular plugs |
| GENERAL TOLERANCE | UNITS | mm |
| x.x ±0.20 | SHEET SIZE | A4 |
| x.xx ±0.10 | Draw: | Daniel |
| x.xxx ±0.05 | Check: | Daniel |
| | | KLS P/N: L-KLS12-F7C01-8P8C-xxXX-XX |
| | | NingBo KLS ELECTRONIC CO.,L TD. |