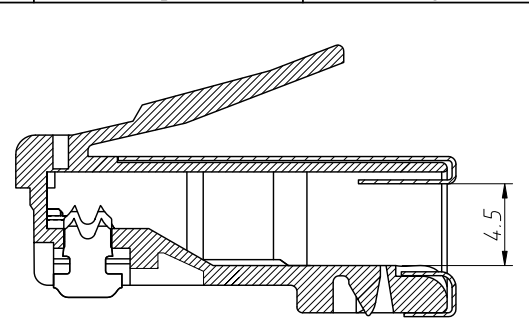
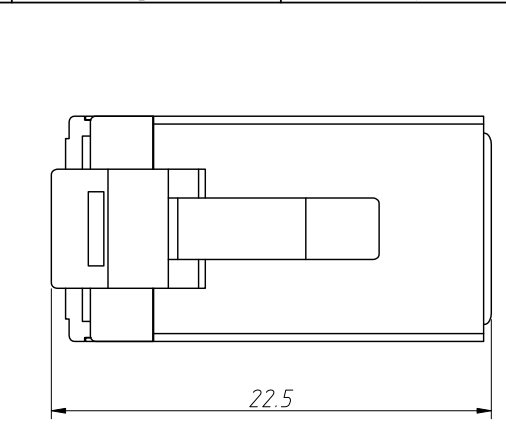
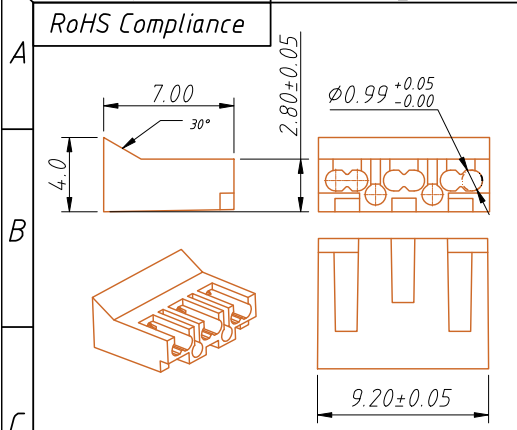
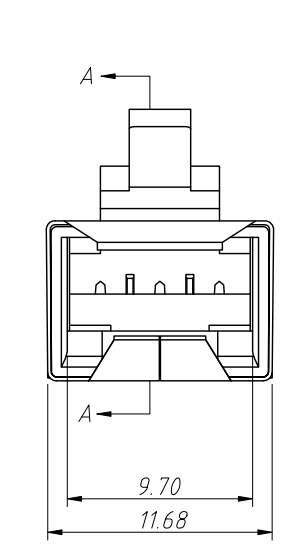
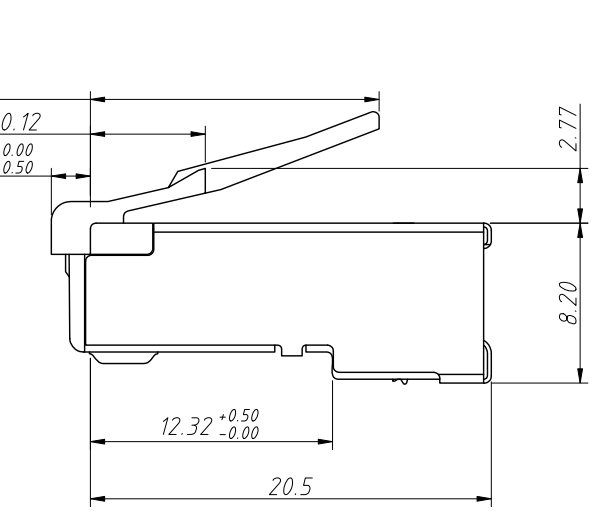
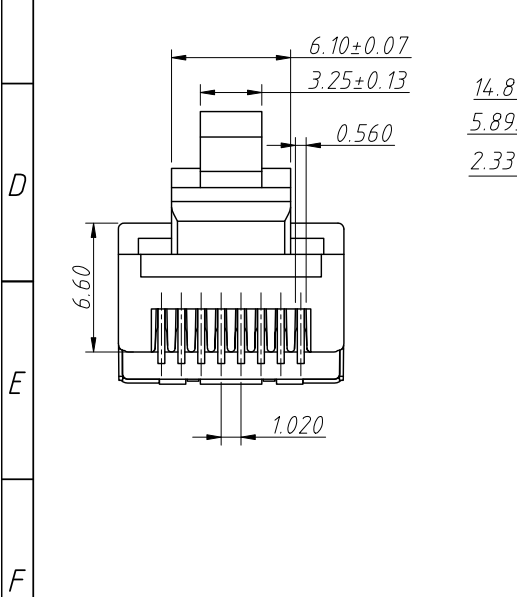


1 2 3 4 5 6 7 8

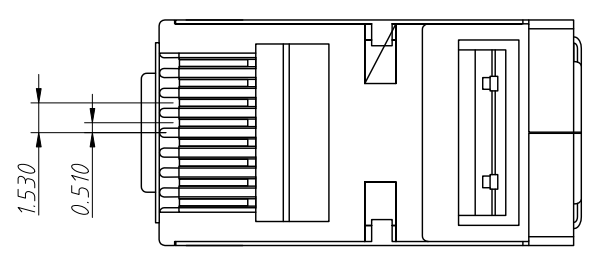
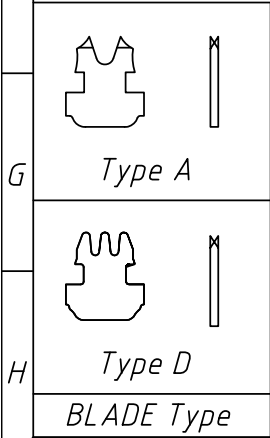


SECTION A-A

Material:
 Housing: Polycarbonate, Transparent
 UL 94 V-0 or UL 94 V-2
 Contact: Brass, Gold Plating
 Shield: Brass T=0.25mm, Nickel Plating
 Electric:
 Rated Current: 125 V AC, 1.5A@25°C
 Contact Resistance: 20mΩ Max.
 Insulation Resistance: 500MΩ Min, 100V DC/min
 Withstand voltage: 1000V AC/1 minute
 No Breakdown
 Mechanical:
 Insertion Force: 30N Max.
 Withdrawal Force: 30N Max.
 Durability: 750 Cycles Min.
 Operation Temperature: -40°C ~ +85°C



ORDER INFORMATION:
 L-KLS12 - F6C03 - 8P8C - xx XX-XX
 RoHS _____
 Point No. _____
 Gold Plating: _____
 01-Fu" gold plating
 02-3u" gold plating
 03-6u" gold plating
 15-15u" gold plating
 30-30u" gold plating
 50-50u" gold plating
 BLADE type: _____
 Flammability: _____
 Blank - UL94V-2 0 - UL94V-0
 Shield Code: _____
 Blank- Brass shield 01-SPCC Shield



ANGLE TOLERANCE	PROJECTION	Description:
±3°		FTP CAT6 8P8C Modular plugs
GENERAL TOLERANCE	UNITS	mm
x.x ±0.20	SHEET SIZE	A4
x.xx ±0.10	Draw:	Daniel
x.xxx ±0.05	Check:	Daniel
		KLS P/N: L-KLS12-F6C03-8P8C-xxXX-XX
		2023-06-07
		2023-06-07



1 2 3 4 5 6 7 8