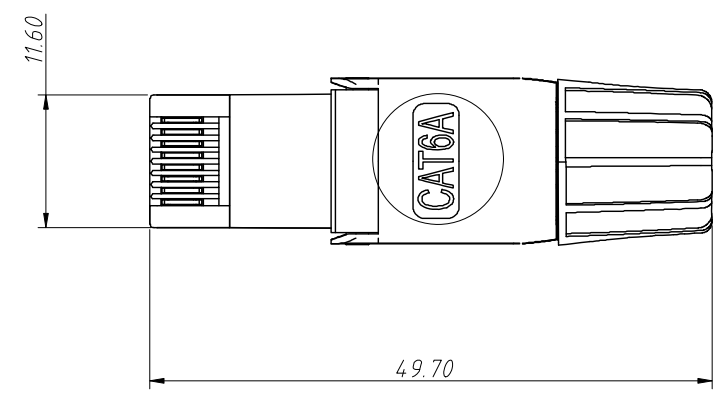
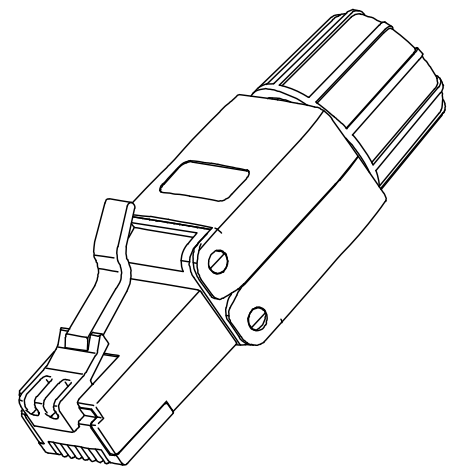
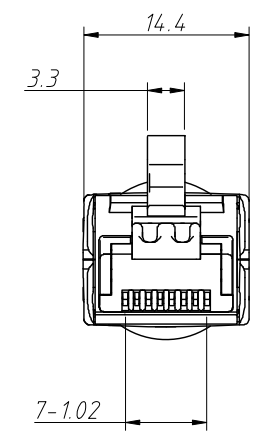
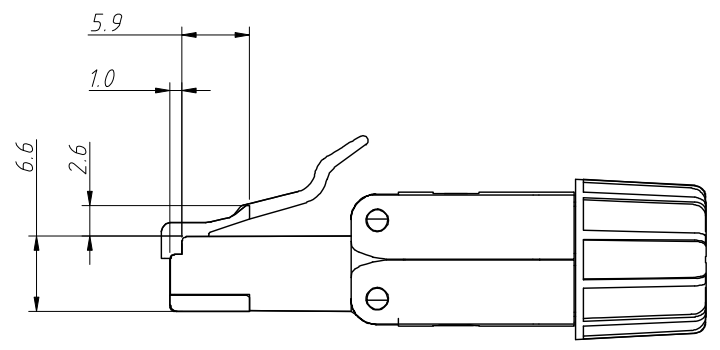
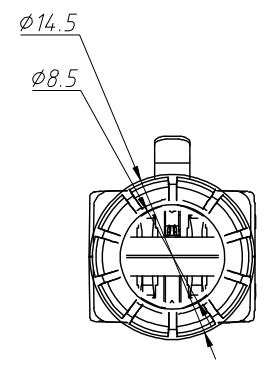


1
RoHS Compliance

7
Material:
Housing: Polycarbonate
Contact: Phosphor Bronze, Gold Plating
Shield: Zinc alloy, Nickel Plating
Electric:
Rated Current: 125 V AC, 1.5A@25°C
Contact Resistance: 20mΩ Max.
Insulation Resistance: 500MΩ Min, 100V DC/min
Withstand voltage: 1000V DC/700V AC/60s
No Breakdown
Mechanical:
Cable: 22~24AWG
Durability: 750 Cycles Min.
Operation Temperature: -40°C~+70°C



ANGLE TOLERANCE	PROJECTION		Description:	
±3°			FTP CAT6A 8P8C Tool-Free Modular plugs	
GENERAL TOLERANCE	UNITS	mm	KLS P/N:	L-KLS12-F6A09-8P8C
x.x ±0.20	SHEET SIZE	A4	XX	NingBo KLS ELECTRONIC CO.,L TD.
x.xx ±0.10	Draw:	Daniel	2023-06-06	
x.xxx ±0.05	Check:	Daniel	2023-06-06	