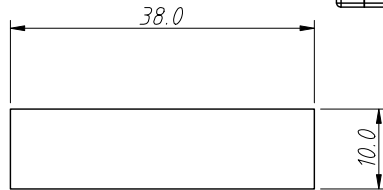
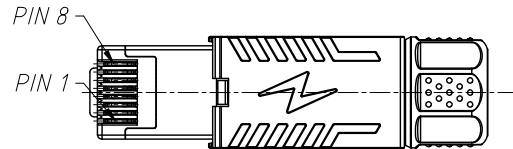
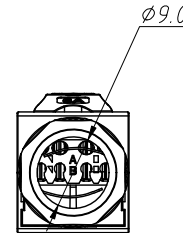
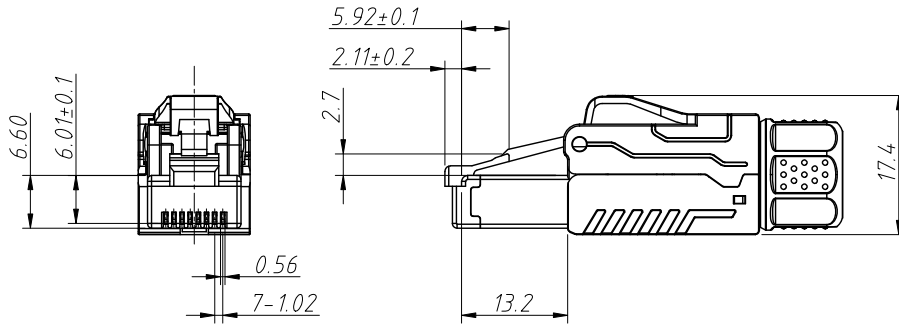
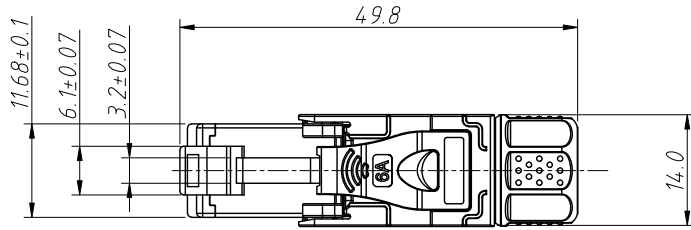
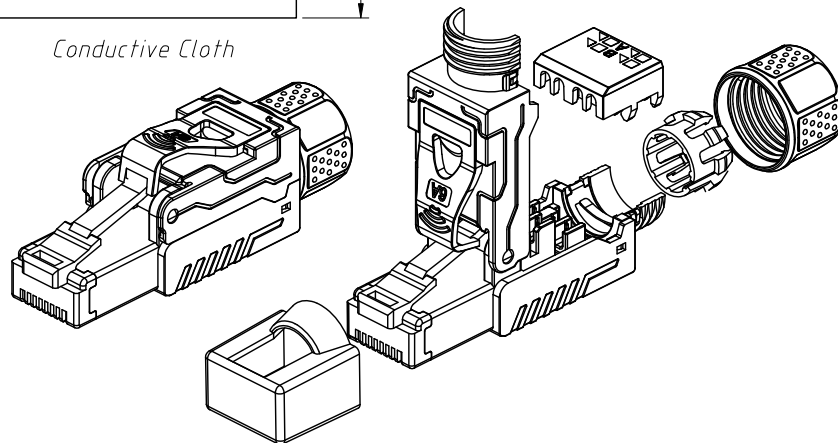


1 RoHS Compliance



Conductive Cloth



Material:  
 Housing: Polycarbonate,UL 94 V-0  
 Contact: Brass,Gold Plating  
 Shield: Zinc alloy, Nickel Plating  
 Electric:  
 Rated Current: 125 V AC,1.5A@25°C  
 Contact Resistance: 20mΩ Max.  
 Insulation Resistance: 100MΩ Min,100V DC/min  
 Withstand voltage: 1000V DC/700V AC/60s  
 No Breakdown  
 Mechanical:  
 Cable: 23~26AWG  
 Durability: 750 Cycles Min.  
 Operation Temperature:-40°C~+95°C

ANGLE TOLERANCE	PROJECTION	Description:		
±3°		FTP CAT6A 8P8C Tool-Free Modular Plugs		
GENERAL TOLERANCE	UNITS	mm	KLS P/N:	L-KLS12-F6A07-8P8C
x.x ±0.20	SHEET SIZE	A4	XX	
x.xx ±0.10	Draw:	Daniel	2023-06-05	
x.xxx ±0.05	Check:	Daniel	2023-06-05	

NingBo KLS ELECTRONIC CO.,L TD.