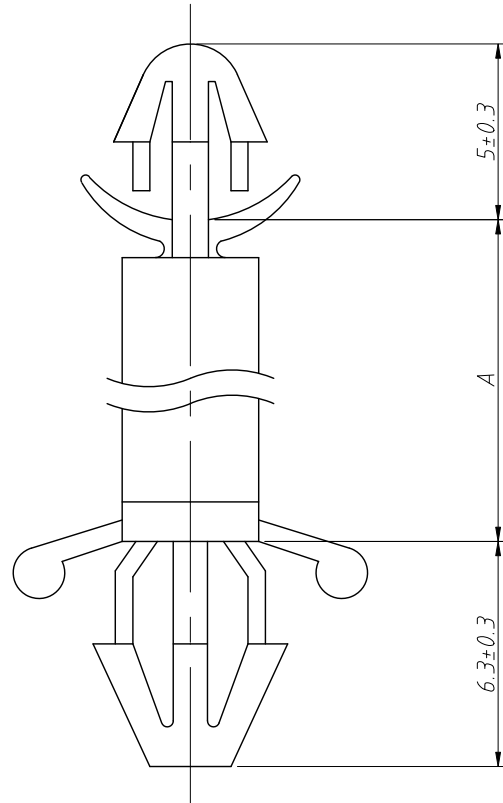
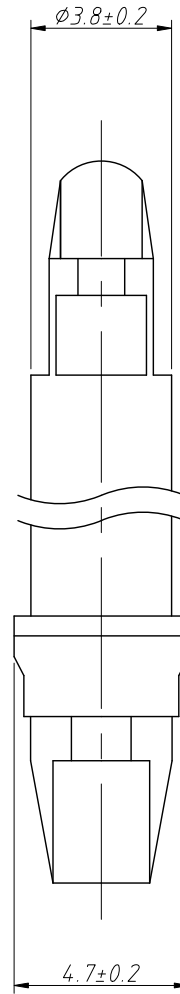


1  
RoHS Compliance

Hole IN PCB:  $\phi 3.0\text{mm}$   
PCB Thickness:  $0.8 \sim 2.0\text{mm}$



Hole IN PCB:  $\phi 4.0\text{mm}$   
PCB Thickness:  $1.2 \sim 2.6\text{mm}$



Notes:  
1. Material: Nylon 66 UL 94 V-2, Natural  
2. Made Of Equivalent Material.

Part NO.	A
BH-03	3.5
BH-04	4.0
BH-05	5.0
BH-06	6.3
BH-07	7.4
BH-08	8.5
BH-10	10.0
BH-11	11.0
BH-12	12.7
BH-15	15.9

ANGLE TOLERANCE		PROJECTION		Description:	
$\pm 3^\circ$				Spacer Support	
GENERAL TOLERANCE		UNITS	mm	KLS P/N:	
$\leq 5$	$\pm 0.2$	SHEET SIZE	A4	L-KLS8-0234G-BH-XX	
$5 \sim 20$	$\pm 0.3$	Draw:	Daniel	2023-06-13	
$20 \sim 40$	$\pm 0.4$	Check:	Daniel	2023-06-13	

**KLS** NingBo KLS ELECTRONIC CO.,L TD.