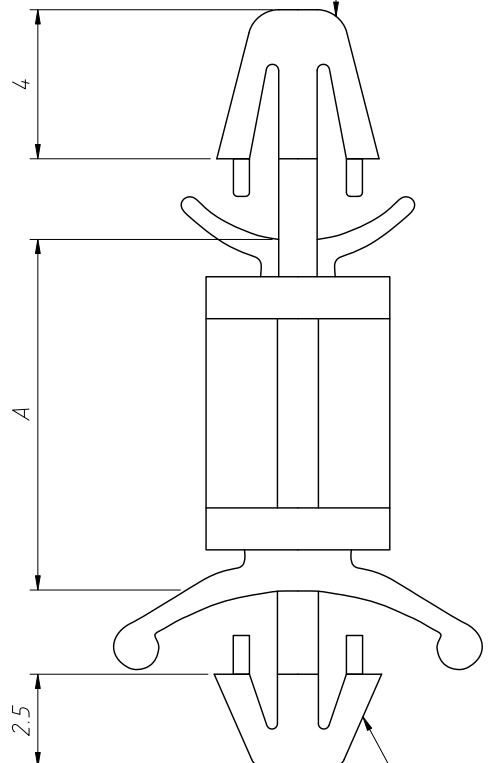
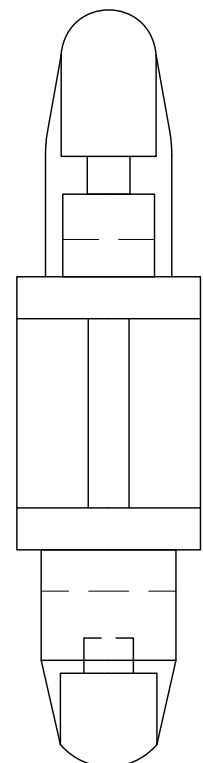


1
RoHS Compliance

Hole In PCB $\phi 3.5$
PCB Thickness 1.6



Hole In Chassis $\phi 3.5$
Chassis Thickness 0.8 ~ 2.0



Part No.	A
0234G-BH-04	4.0
0234G-BH-05	4.8
0234G-BH-06	6.4
0234G-BH-07	7.0
0234G-BH-08	8.0
0234G-BH-09	9.6
0234G-BH-11	11.2
0234G-BH-12	12.7
0234G-BH-14	14.0
0234G-BH-16	16.0
0234G-BH-18	18.0
0234G-BH-19	19.1
0234G-BH-27	27.5

Material:
Housing: Nylon 66, UL 94V-2
Color: Natural

Note: All measurement does not include gate which raises under 0.3mm

ANGLE TOLERANCE	PROJECTION	Description:	PCB spacer supports	
$\pm 3^\circ$				
GENERAL TOLERANCE	UNITS	mm	KLS P/N:	L-KLS8-0234D-BH-16
x.x ± 0.30	SHEET SIZE	A4		
x.xx ± 0.20	Draw:	Daniel	2023-06-12	NingBo KLS ELECTRONIC CO.,L TD.
x.xxx ± 0.10	Check:	Daniel	2023-06-12	