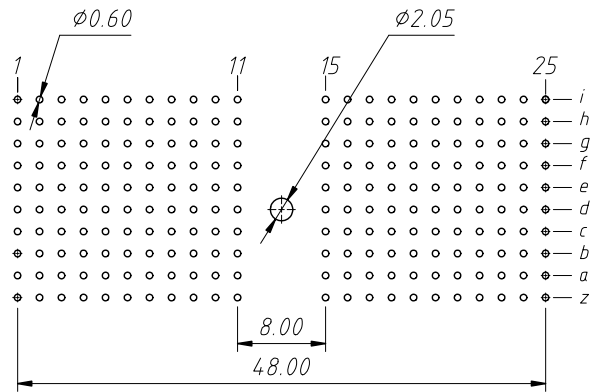
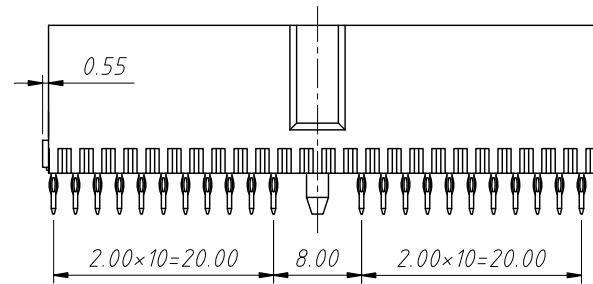
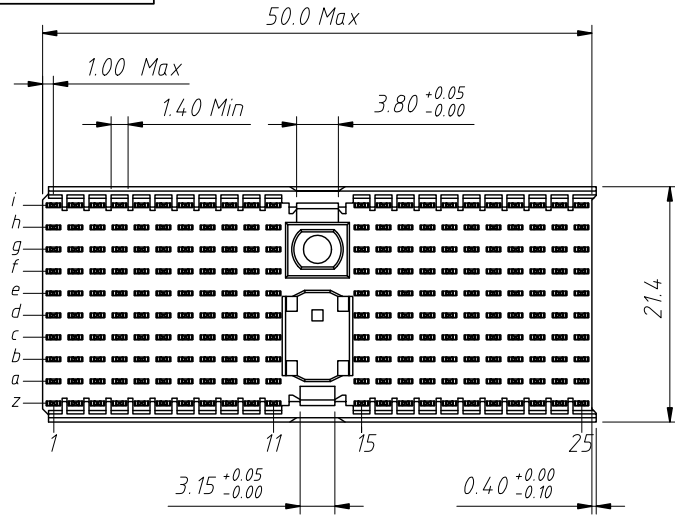
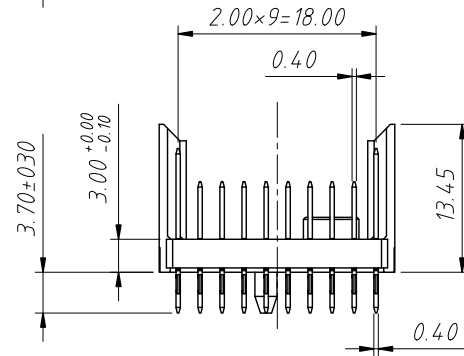
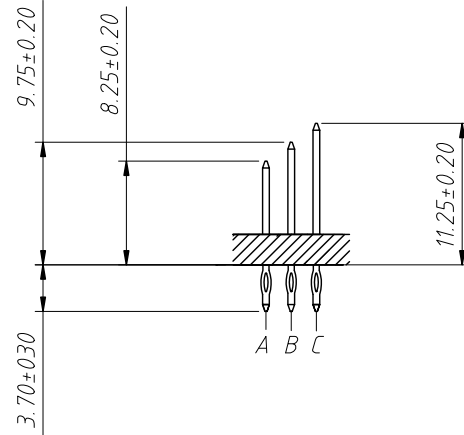


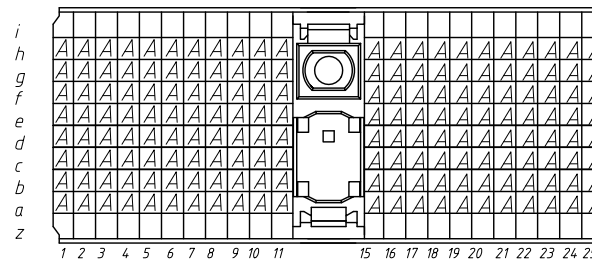
RoHS Compliance



Recommended PCB Layout
Tolerance: ±0.05mm



Contact Layout



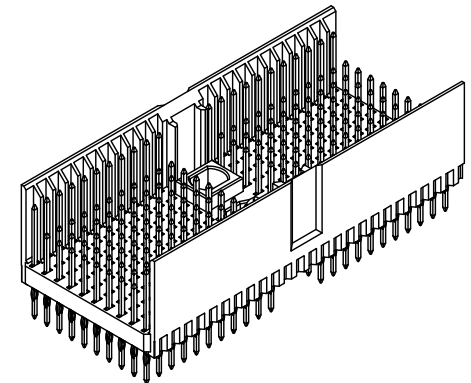
Material:
Housing: PBT, Beige, UL 94 V-0.
Contacts: Brass, Gold Plated on Contact Area
And 80u" Min Tin Plated on Solder
Tail over nickel 50u" Min.

Electrical Characteristics:
Current Rating: 1 AMP.
Dielectric Withstanding Voltage:
AC 750V For 1 minute
Insulator Resistance: 10000MΩ min at DC 500V
Contact Resistance: 20mΩ max at DC 100mA.
Operating Temperature: -55°C ~ +125°C

Order Information:

L-KLS1-HBC-DM-176-1A-0-10

L: RoHS
Housing D Type
M=Male F=Female
No. of 176 Pins
Pin: Composite code
Plating: 10=Au 10u"

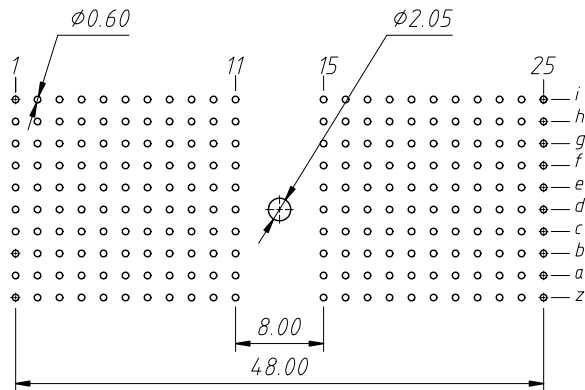
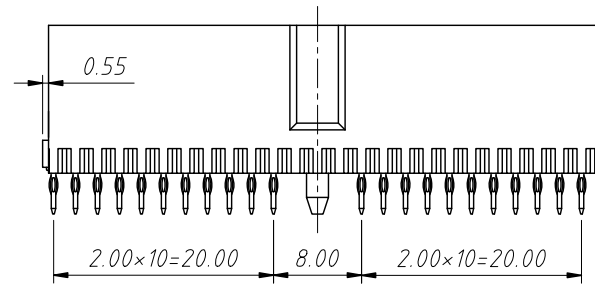
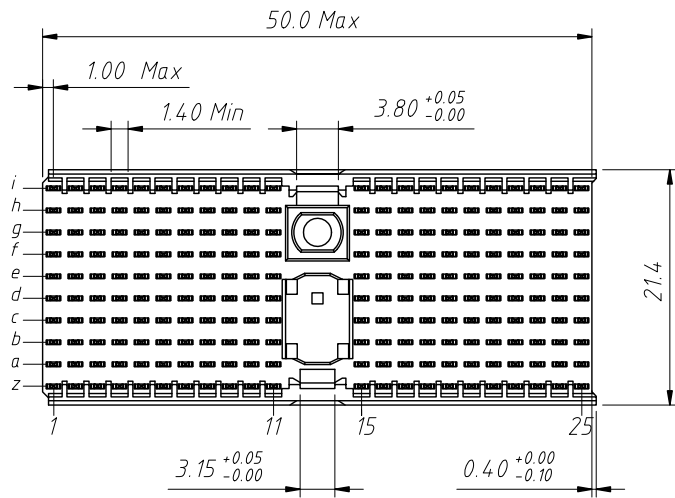


ANGLE TOLERANCE	PROJECTION	Description:	2mm Hard Metric Connector 176 Pos Press-Fit D22 Male
±3°			
GENERAL TOLERANCE	UNITS	mm	KLS P/N: L-KLS1-HBC-DM-176-1A-0-10
x ±0.5	SHEET SIZE	A4	
x.x ±0.25	Draw:	Daniel	2023-05-10
x.xx ±0.15	Check:	Daniel	2023-05-10

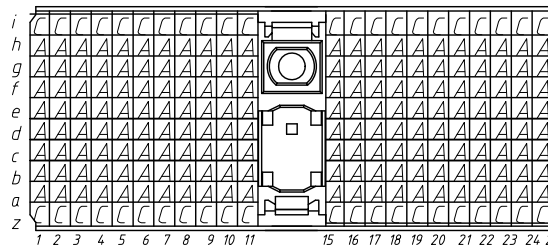
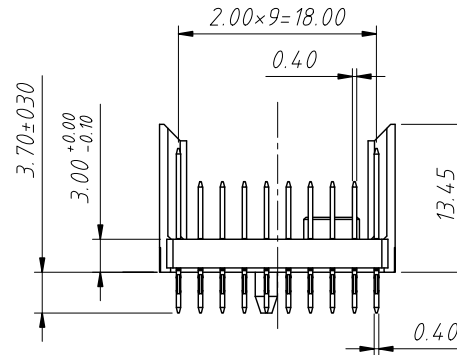
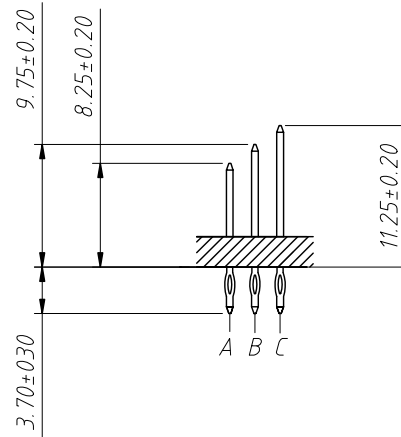


NingBo KLS ELECTRONIC CO.,LTD.

RoHS Compliance



Recommended PCB Layout
Tolerance: ±0.05mm

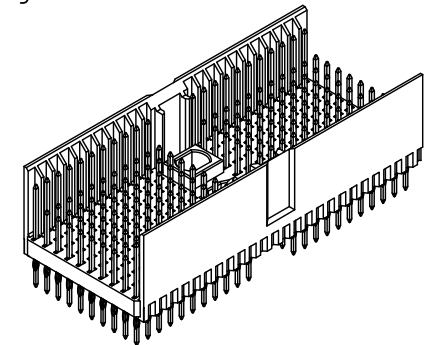


Contact Layout

Material:
Housing: PBT, Beige, UL 94 V-0.
Contacts: Brass, Gold Plated on Contact Area
And 80u" Min Tin Plated on Solder
Tail over nickel 50u" Min.

Electrical Characteristics:
Current Rating: 1 AMP.
Dielectric Withstanding Voltage:
AC 750V For 1 minute
Insulator Resistance: 10000MΩ min at DC 500V
Contact Resistance: 20mΩ max. at DC 100mA.
Operating Temperature: -55°C ~ +125°C

Order Information:
L-KLS1-HBC-DM-220-1A-1-10
L: RoHS
Housing D Type
M=Male F=Female
No. of 220 Pins
Pin: Composite code
Plating: 10=Au 10u"



ANGLE TOLERANCE	PROJECTION	Description:	2mm Hard Metric Connector 220 Pos Press-Fit D22 Male
±3°			
GENERAL TOLERANCE	UNITS	mm	KLS P/N:
x ±0.5	SHEET SIZE	A4	L-KLS1-HBC-DM-220-1A-1-10
x.x ±0.25	Draw:	Daniel	2023-05-10
x.xx ±0.15	Check:	Daniel	2023-05-10



NingBo KLS ELECTRONIC CO.,L TD.