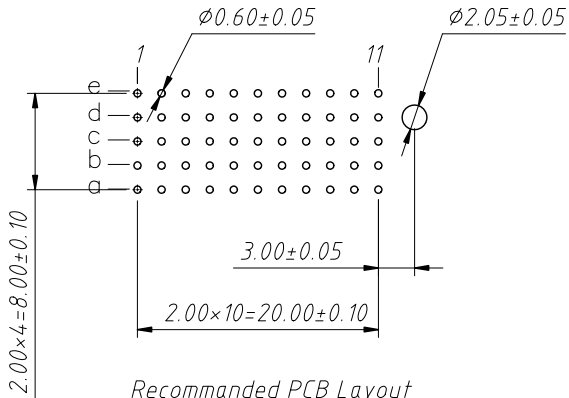
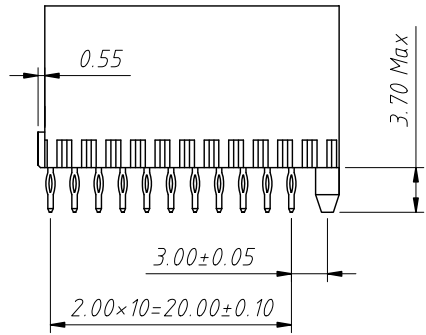
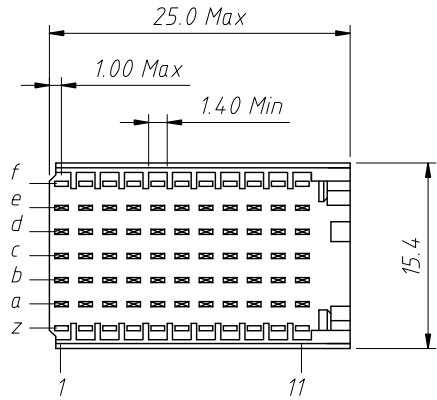
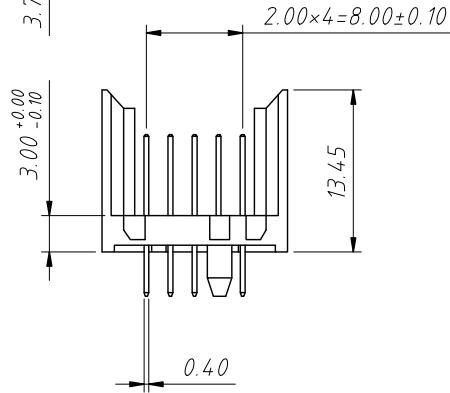
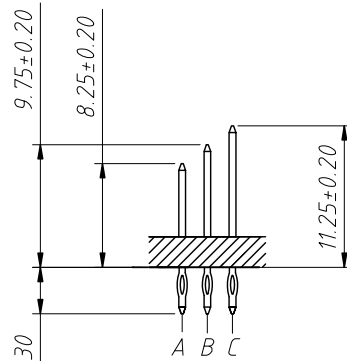


RoHS Compliance



Recommended PCB Layout
Tolerance: ±0.05mm



Contact Layout

Material:

Housing: Thermoplastic Polyester Glass

Filled, UL 94V-0

Contacts: Copper Alloy

Electrical Characteristics:

Current Rating: 1 AMP.

Dielectric Withstanding Voltage:

AC 750V For 1 minute

Insulator Resistance: 10000MΩ min at DC 500V

Contact Resistance: 20mΩ max. at DC 100mA.

Operating Temperature: -55°C ~ +125°C

Order Information:

L-KLS1-HBC-C M-055-1A-0-10

L: RoHS

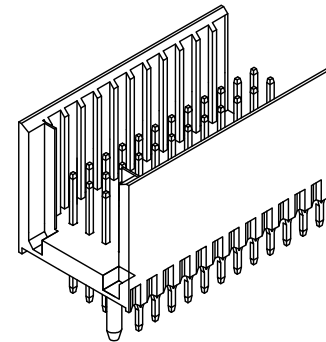
Housing D Type

M=Male F=Female

No. of 55 Pins

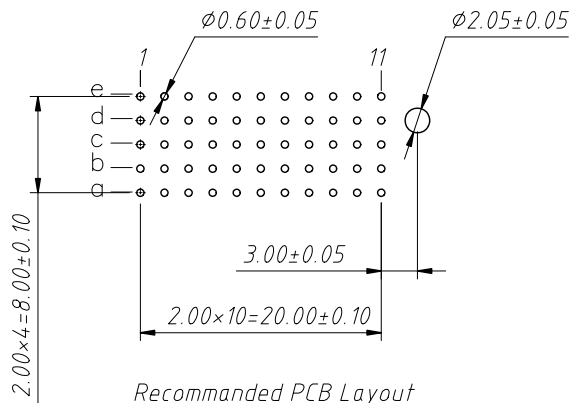
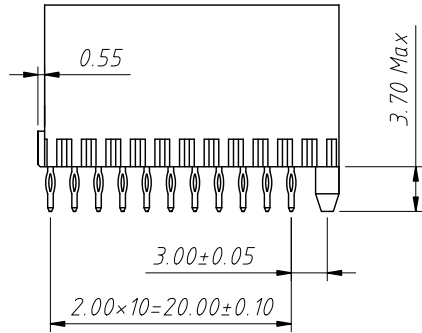
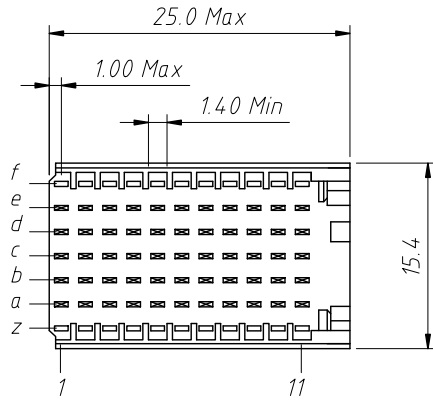
Pin: Composite code

Plating: 10=Au 10u"

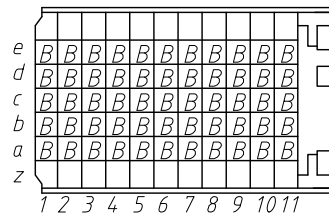
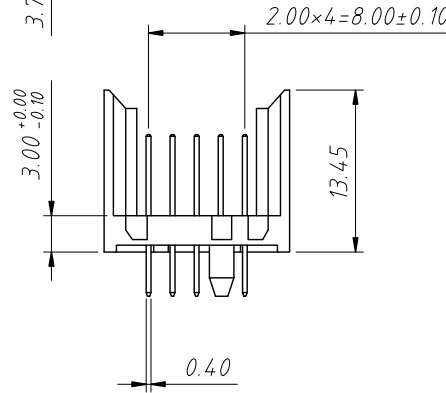
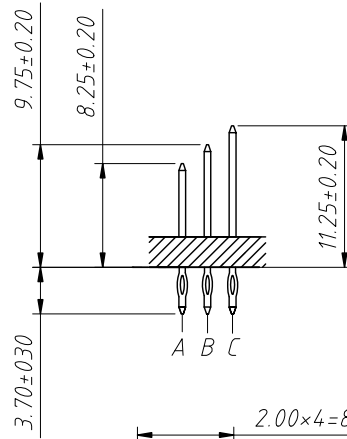


ANGLE TOLERANCE	PROJECTION	Description:	2mm Hard Metric Connector 55 Pos Press-Fit C11 Male
±3°			
GENERAL TOLERANCE	UNITS	mm	KLS P/N: L-KLS1-HBC-CM-055-1A-0-10
x ±0.5	SHEET SIZE	A4	NingBo KLS ELECTRONIC CO.,LTD.
x.x ±0.25	Draw:	Daniel	
x.xx ±0.15	Check:	Daniel	

RoHS Compliance



Recommended PCB Layout
Tolerance: ±0.05mm

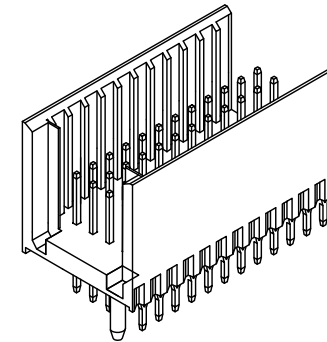
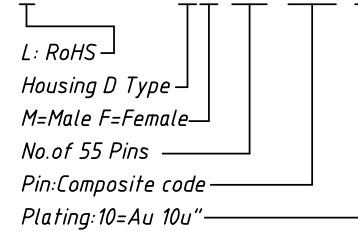


Contact Layout

Material:
Housing: PBT, Bcigr, UL 94 V-0.
Contacts: Brass, Gold Plated on Contact Area
And 80u" Min Tin Plated on Solder
Tail over nickel 50u" Min.
Electrical Characteristics:
Current Rating: 1 AMP.
Dielectric Withstanding Voltage:
AC 750V For 1 minute
Insulator Resistance: 10000MΩ min at DC 500V
Contact Resistance: 20mΩ max. at DC 100mA.
Operating Temperature: -55°C ~ +125°C

Order Information:

L-KLS1-HBC-C M-055-1B-0-10

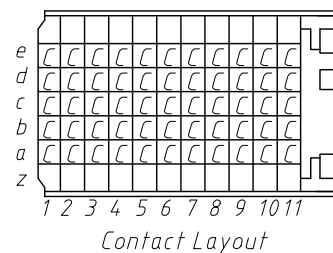
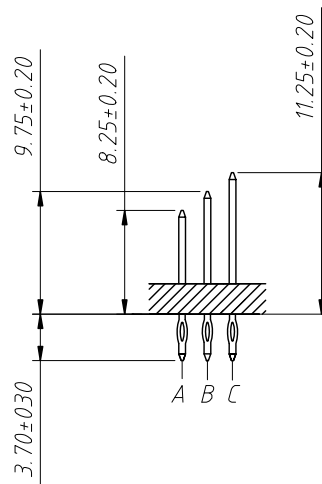
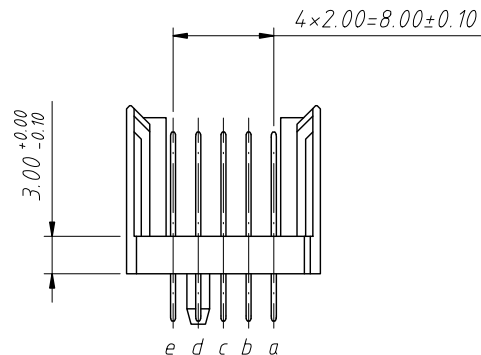
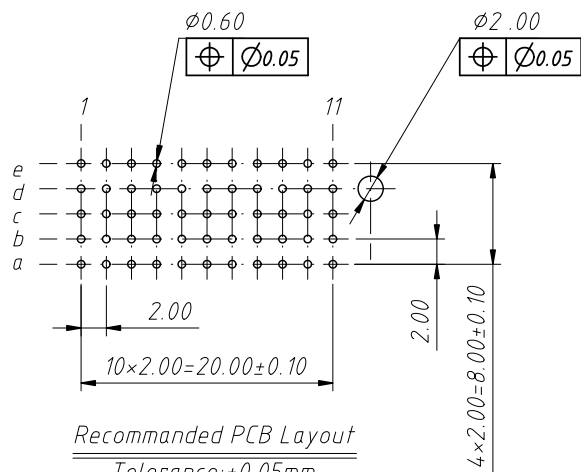
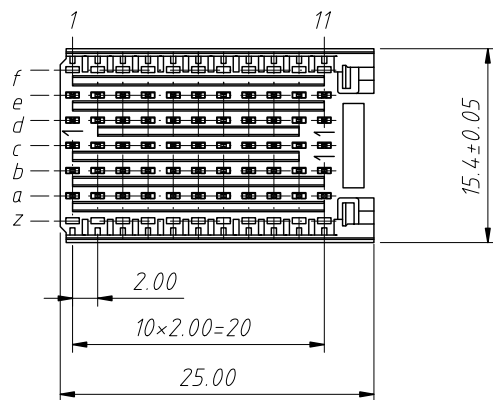
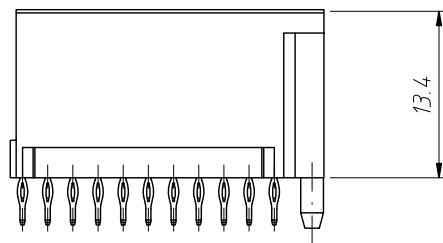


ANGLE TOLERANCE	PROJECTION	Description:	2mm Hard Metric Connector 55 Pos Press-Fit C11 Male
±3°			
GENERAL TOLERANCE	UNITS	mm	KLS P/N:
x ±0.5	SHEET SIZE	A4	L-KLS1-HBC-CM-055-1B-0-10
x.x ±0.25	Draw:	Daniel	2023-05-10
x.xx ±0.15	Check:	Daniel	2023-05-10



NingBo KLS ELECTRONIC CO.,L TD.

RoHS Compliance



Material:

Housing: Thermoplastic Polyester Glass

Filled, UL 94V-0

Contacts: Copper Alloy

Electrical Characteristics:

Current Rating: 1 AMP.

Dielectric Withstanding Voltage:

AC 750V For 1 minute

Insulator Resistance: 10000MΩ min at DC 500V
Contact Resistance: 20mΩ max. at DC 100mA.

Operating Temperature: -55°C ~ +125°C

Order Information:

L-KLS1-HBC-CM-055-1C-0-10

L: RoHS

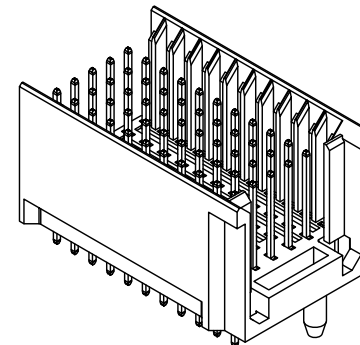
Housing D Type

M=Male F=Female

No. of 55 Pins

Pin: Composite code

Plating: 10=Au 10u"

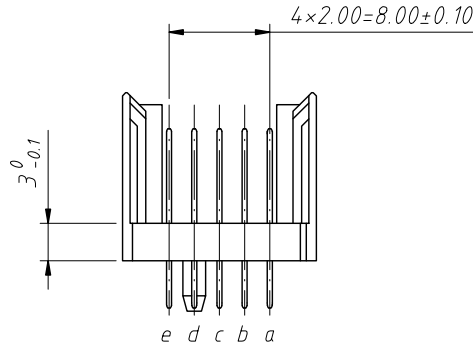
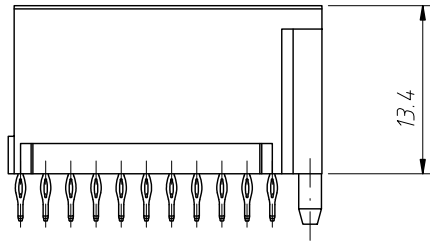


ANGLE TOLERANCE	PROJECTION	Description:	2mm Hard Metric Connector 55 Pos Press-Fit C11 Male
±3°			
GENERAL TOLERANCE	UNITS	mm	KLS P/N:
x ±0.5	SHEET SIZE	A4	L-KLS1-HBC-CM-055-1C-0-10
x.x ±0.25	Draw:	Daniel	2023-05-10
x.xx ±0.15	Check:	Daniel	2023-05-10



NingBo KLS ELECTRONIC CO.,LTD.

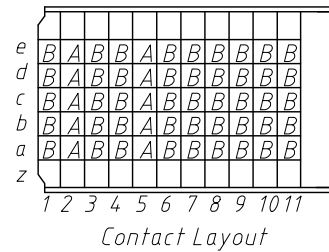
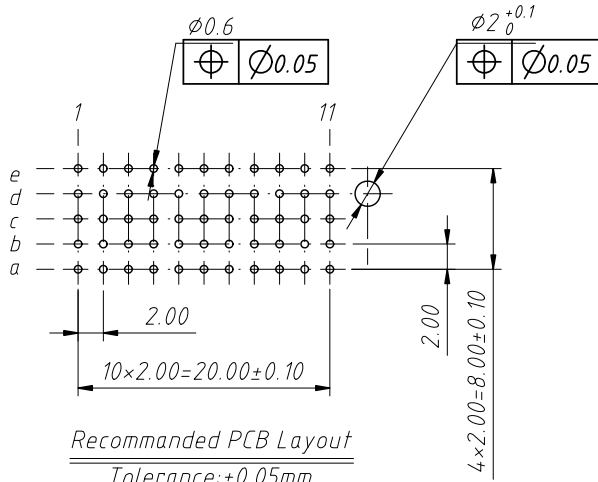
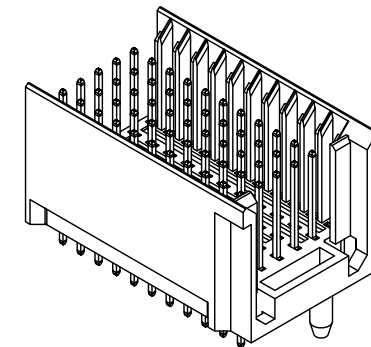
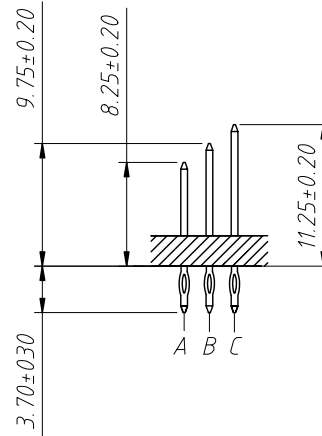
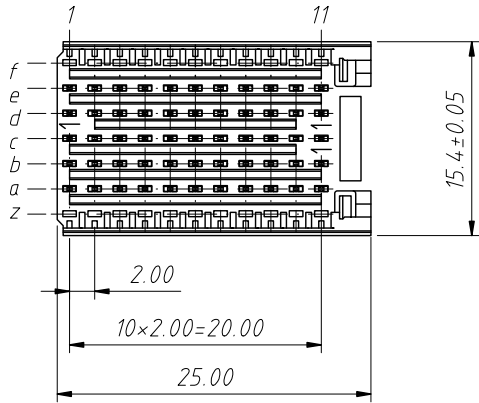
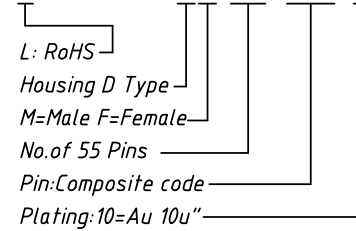
1 RoHS Compliance



Material:
 Housing: Thermoplastic Polyester Glass
 Filled, UL 94V-0
 Contacts: Copper Alloy

Electrical Characteristics:
 Current Rating: 1 AMP.
 Dielectric Withstanding Voltage:
 AC 750V For 1 minute
 Insulator Resistance: 10000MΩ min at DC 500V
 Contact Resistance: 20mΩ max. at DC 100mA.
 Operating Temperature: -55°C ~ +125°C

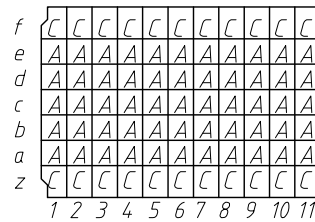
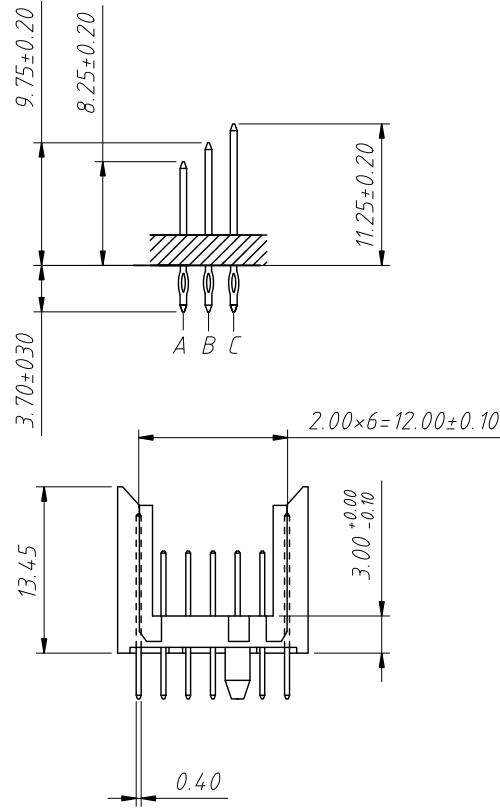
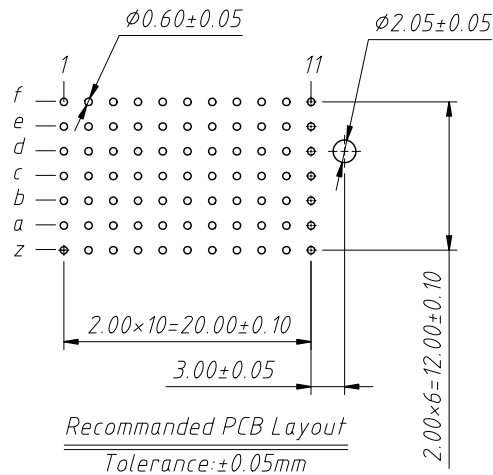
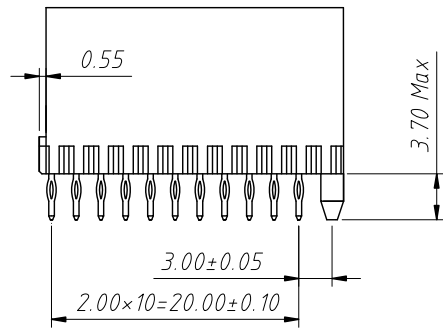
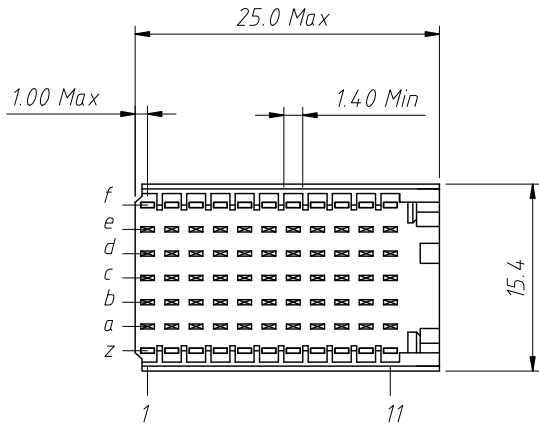
Order Information:
 L-KLS1-HBC-CM-055-1D-0-10



ANGLE TOLERANCE	PROJECTION	Description:	2mm Hard Metric Connector 55 Pos Press-Fit C11 Male
±3°			
GENERAL TOLERANCE	UNITS	mm	KLS P/N: L-KLS1-HBC-CM-055-1D-0-10
x ±0.5	SHEET SIZE	A4	
x.x ±0.25	Draw:	Daniel	2023-05-10
x.xx ±0.15	Check:	Daniel	2023-05-10



1 RoHS Compliance



Contact Layout

Material:

Housing: PBT, UL 94 V-0, Beige.

Contacts: Brass, Gold Plated on Contact Area
And 80 u" Min Tin or Gold Flash Plated
on Press Fit Over 50 u" Min Nickel.
Or Au+Pd/Ni on Contact Area And 80u" Min
Tin on Press Fit over 50 u" Min Nickel.

Electrical Characteristics:

Current Rating: 1 AMP.

Dielectric Withstanding Voltage:

AC 750V For 1 minute

Insulator Resistance: 10000MΩ min at DC 500V

Contact Resistance: 20mΩ max. at DC 100mA.

Operating Temperature: -55°C ~ +125°C

Order Information:

L-KLS1-HBC-CM-077-1A-0-10

L: RoHS

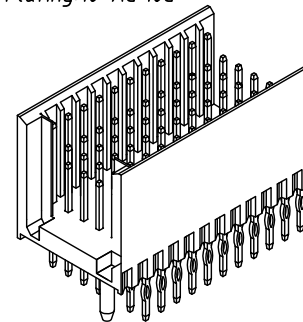
Housing D Type

M=Male F=Female

No. of 77 Pins

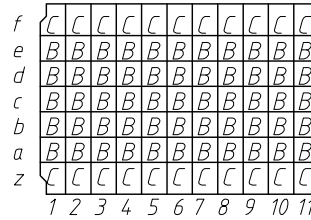
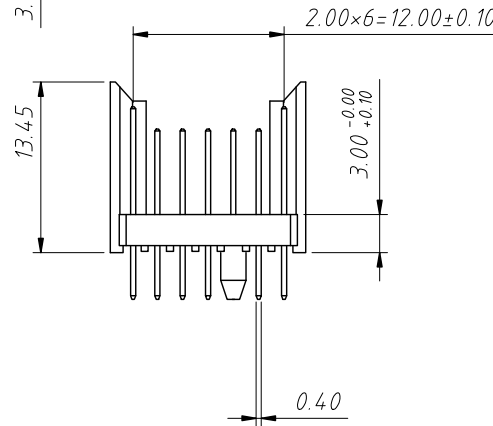
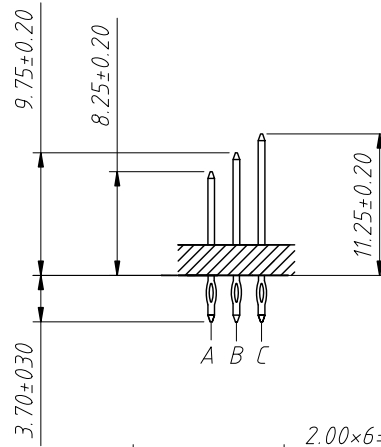
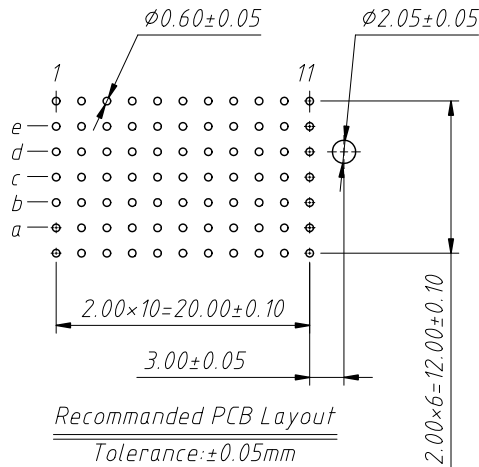
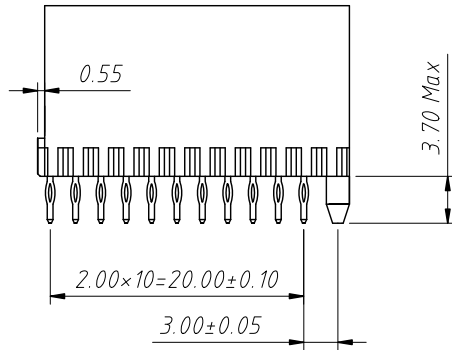
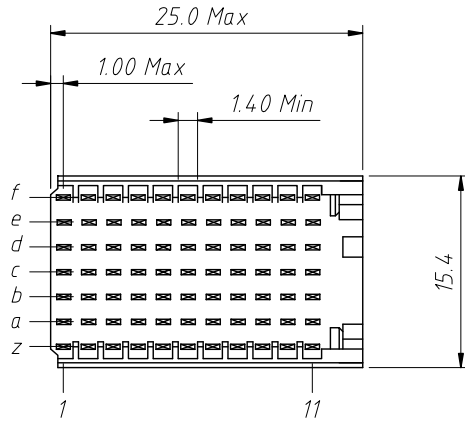
Pin: Composite code

Plating: 10=Au 10u"



ANGLE TOLERANCE	PROJECTION	Description:		2mm Hard Metric Connector 77 Pos Press-Fit C11 Male
±3°				
GENERAL TOLERANCE	UNITS	mm	KLS P/N:	L-KLS1-HBC-CM-077-1A-0-10
x ±0.5	SHEET SIZE	A4		
x.x ±0.25	Draw:	Daniel	2023-05-10	NingBo KLS ELECTRONIC CO.,L TD.
x.xx ±0.15	Check:	Daniel	2023-05-10	

RoHS Compliance

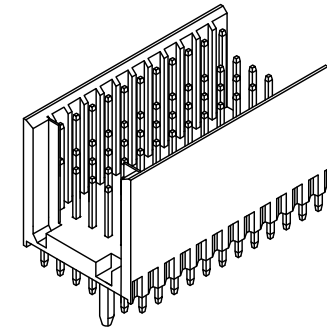
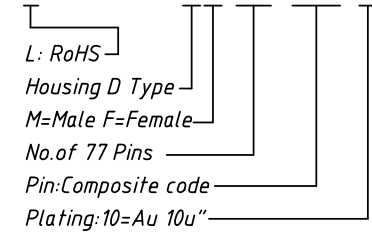


Contact Layout

Material:
Housing: Thermoplastic Polyester Glass
Filled, UL 94 V-0
Contacts: Copper Alloy

Electrical Characteristics:
Current Rating: 1 AMP.
Dielectric Withstanding Voltage:
AC 750V For 1 minute
Insulator Resistance: 10000MΩ min at DC 500V
Contact Resistance: 20mΩ max. at DC 100mA.
Operating Temperature: -55°C ~ +125°C

Order Information:
L-KLS1-HBC-CM-077-1B-0-10



ANGLE TOLERANCE	PROJECTION	Description:	2mm Hard Metric Connector 77 Pos Press-Fit C11 Male
±3°			
GENERAL TOLERANCE	UNITS	mm	KLS P/N:
x ±0.5	SHEET SIZE	A4	L-KLS1-HBC-CM-077-1B-0-10
x.x ±0.25	Draw:	Daniel	2023-05-10
x.xx ±0.15	Check:	Daniel	2023-05-10



NingBo KLS ELECTRONIC CO.,LTD.