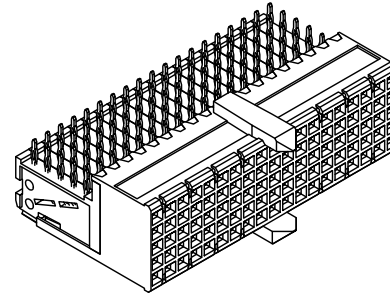
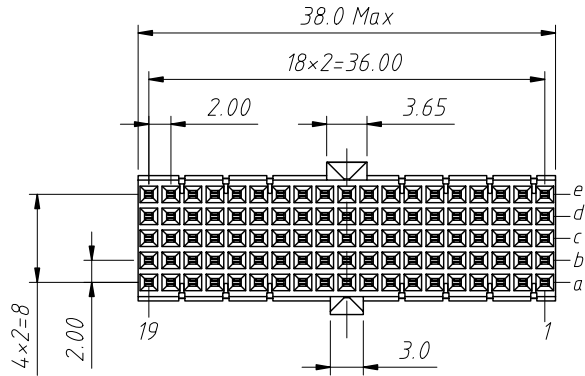
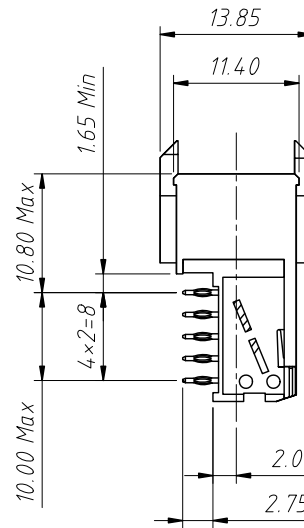
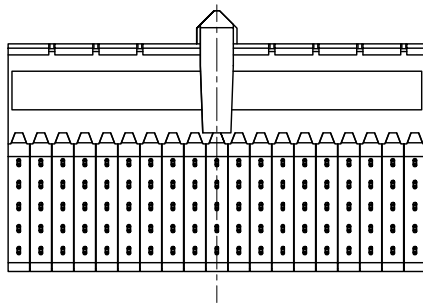


RoHS Compliance



Material:  
Housing: Thermoplastic Polyester Glass Filled, UL 94 V-0  
Contacts: Copper Alloy

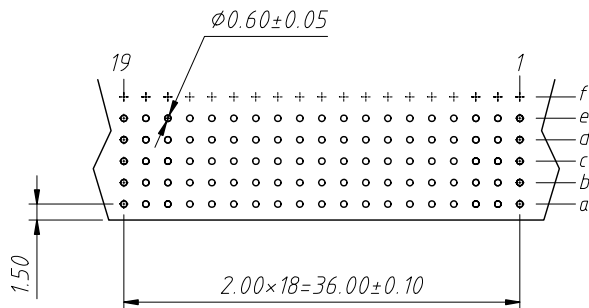
Electrical Characteristics:  
Current Rating: 1 AMP.  
Dielectric Withstanding Voltage:  
AC 750V For 1 minute  
Insulator Resistance: 10000MΩ min at DC 500V  
Contact Resistance: 20mΩ max. at DC 100mA.  
Operating Temperature: -55°C ~ +125°C



Order Information:  
L-KLS1-HBC-ABF-095-0-10

L: RoHS  
Housing D Type  
M=Male F=Female  
No. of 95 Pins  
Shielded:  
0: None Shielded  
1: With Top Body Shielded  
Plating: 10=Au 10u"

None Shielded



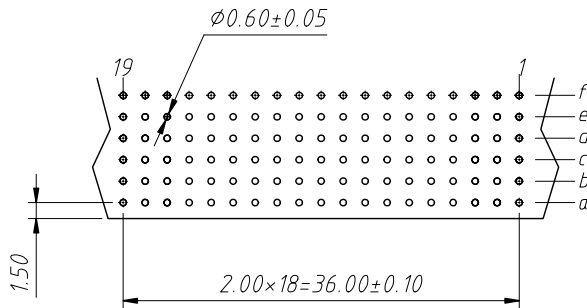
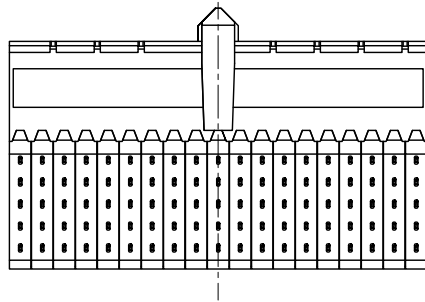
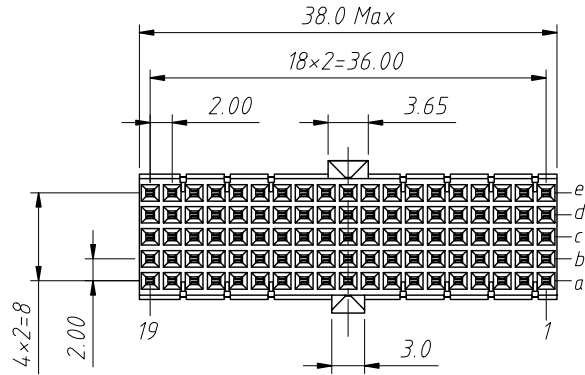
Recommended PCB Layout  
Tolerance: ±0.05mm

ANGLE TOLERANCE	PROJECTION	Description:	2mm Hard Metric Connector 095 Pos Press-Fit AB19 Female
±3°			
GENERAL TOLERANCE	UNITS	mm	KLS P/N: L-KLS1-HBC-ABF-095-0-10
x ±0.5	SHEET SIZE	A4	
x.x ±0.25	Draw:	Daniel	2023-05-13
x.xx ±0.15	Check:	Daniel	2023-05-13

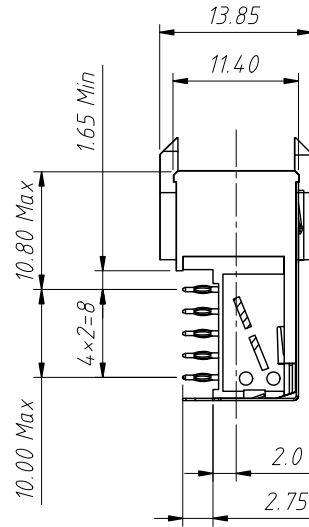


NingBo KLS ELECTRONIC CO.,LTD.

RoHS Compliance



Recommended PCB Layout  
Tolerance: ±0.05mm

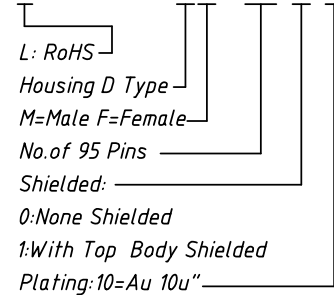


With Top Body Shielded

Material:  
Housing: Thermoplastic Polyester Glass Filled, UL 94 V-0  
Contacts: Copper Alloy

Electrical Characteristics:  
Current Rating: 1 AMP.  
Dielectric Withstanding Voltage: AC 750V For 1 minute  
Insulator Resistance: 10000MΩ min at DC 500V  
Contact Resistance: 20mΩ max. at DC 100mA.  
Operating Temperature: -55°C ~ +125°C

Order Information:  
L-KLS1-HBC-ABF-095-0-10



ANGLE TOLERANCE	PROJECTION	Description:	2mm Hard Metric Connector 95 Pos Press-Fit AB19 Female	
±3°				
GENERAL TOLERANCE	UNITS	mm	KLS P/N: L-KLS1-HBC-ABF-095-1-10	
x ±0.5	SHEET SIZE	A4	NingBo KLS ELECTRONIC CO.,L TD.	
x.x ±0.25	Draw:	Daniel		2023-05-13
x.xx ±0.15	Check:	Daniel		2023-05-13