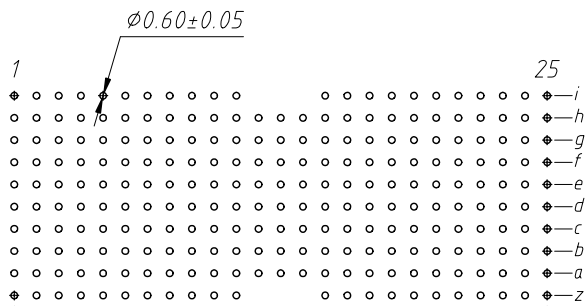
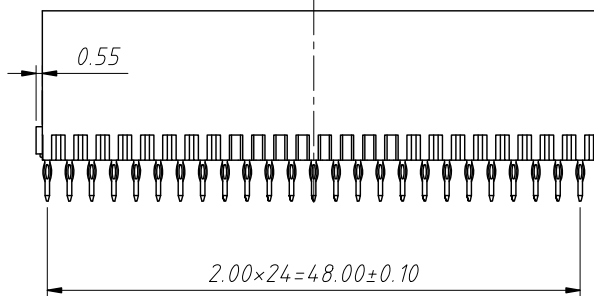
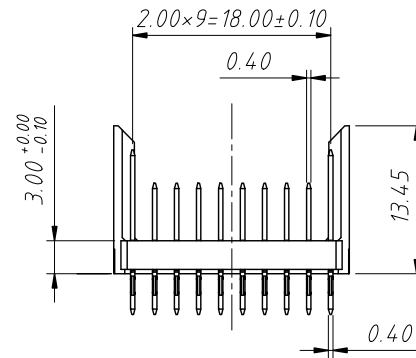
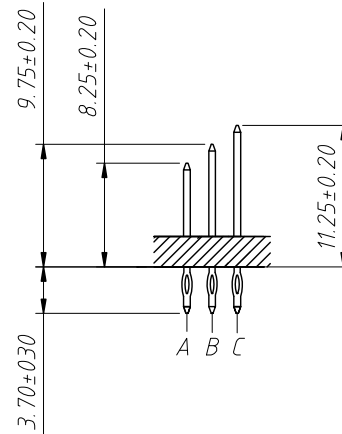
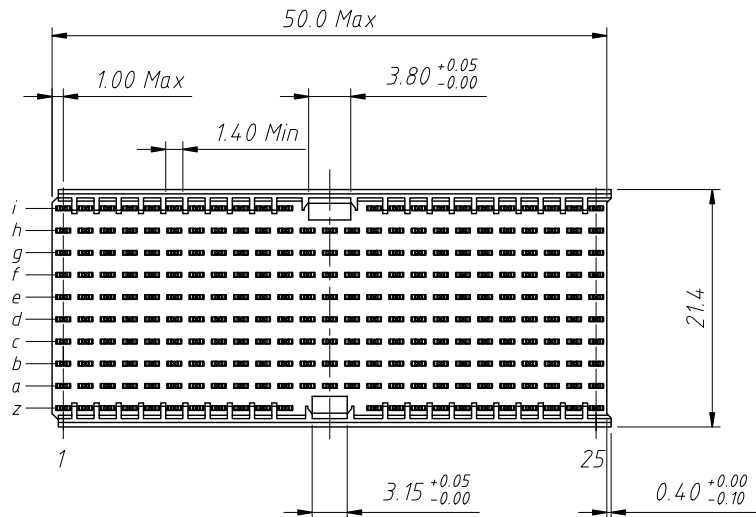
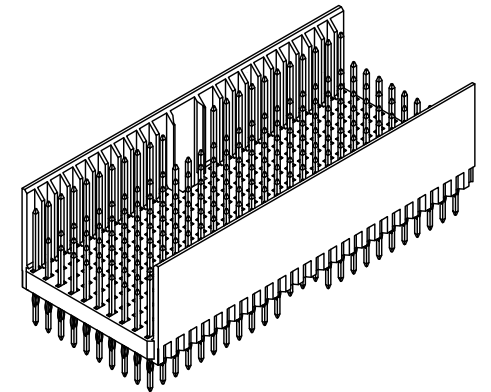
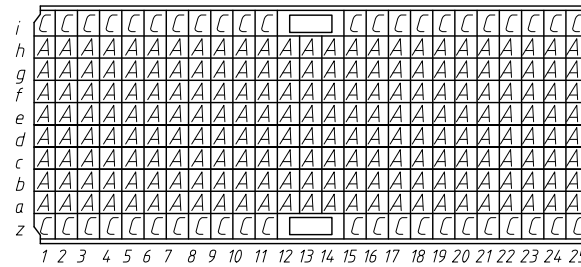


RoHS Compliance



Recommended PCB Layout
Tolerance: ±0.05mm



Material:
Housing: Thermoplastic Polyester Glass Filled, UL 94 V-0
Contacts: Copper Alloy

Electrical Characteristics:
Current Rating: 1 AMP.
Dielectric Withstanding Voltage:
AC 750V For 1 minute
Insulator Resistance: 10000MΩ min at DC 500V
Contact Resistance: 20mΩ max. at DC 100mA.
Operating Temperature: -55°C ~ +125°C

Order Information:

L-KLS1-HBC-DEM-244-1A-1-10

L: RoHS
Housing D Type
M=Male F=Female
No. of 244 Pins
Pin: Composite code
Plating: 10=Au 10u"

ANGLE TOLERANCE	PROJECTION	Description:	2mm Hard Metric Connector 244 Pos Press-Fit DE25 Male
±3°			
GENERAL TOLERANCE	UNITS	mm	KLS P/N:
x ±0.5	SHEET SIZE	A4	L-KLS1-HBC-DEM-244-1A-1-10
x.x ±0.25	Draw:	Daniel	2023-05-10
x.xx ±0.15	Check:	Daniel	2023-05-10



NingBo KLS ELECTRONIC CO.,LTD.