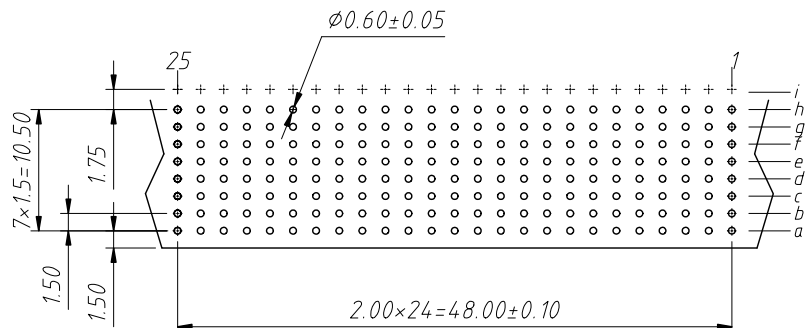
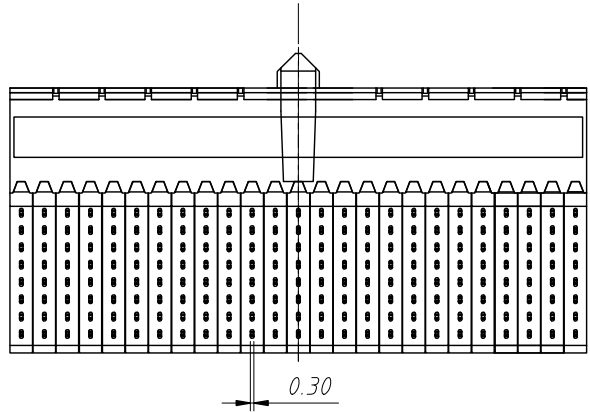
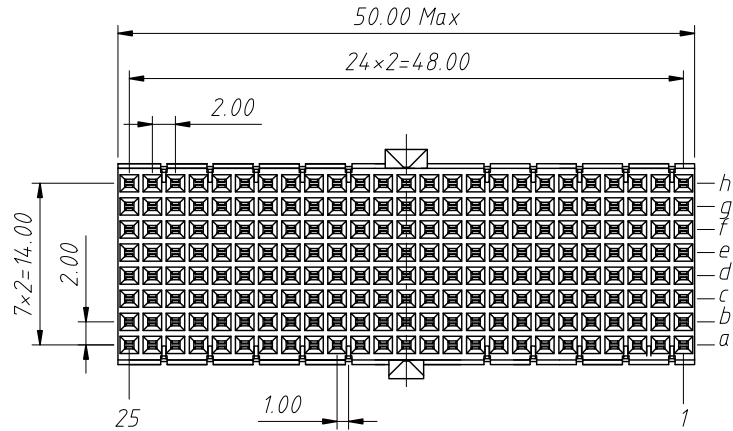
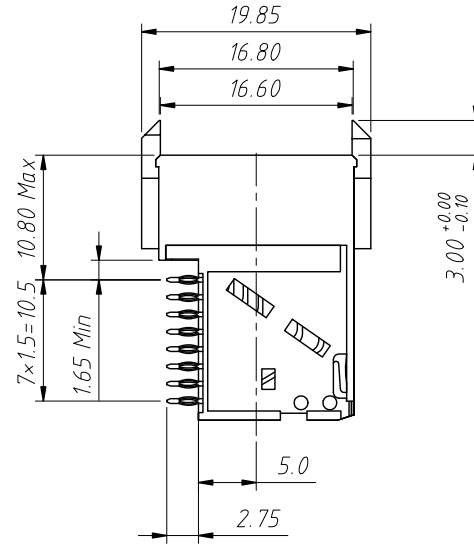
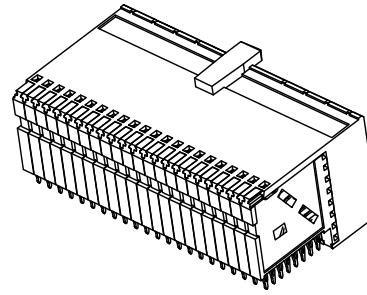


RoHS Compliance



Recommended PCB Layout
Tolerance: ±0.05mm



None Shielded

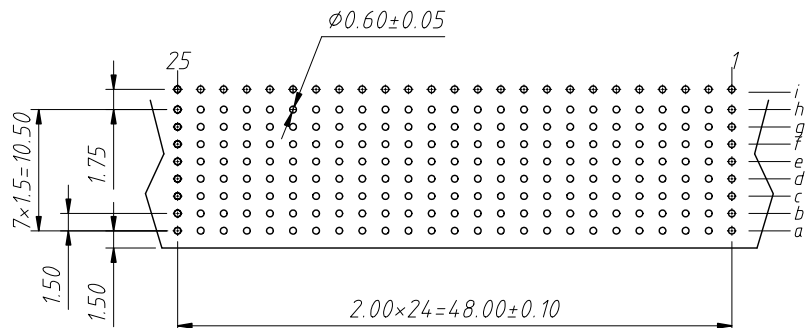
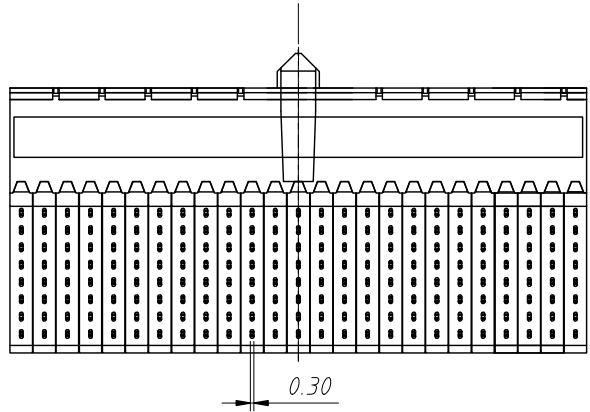
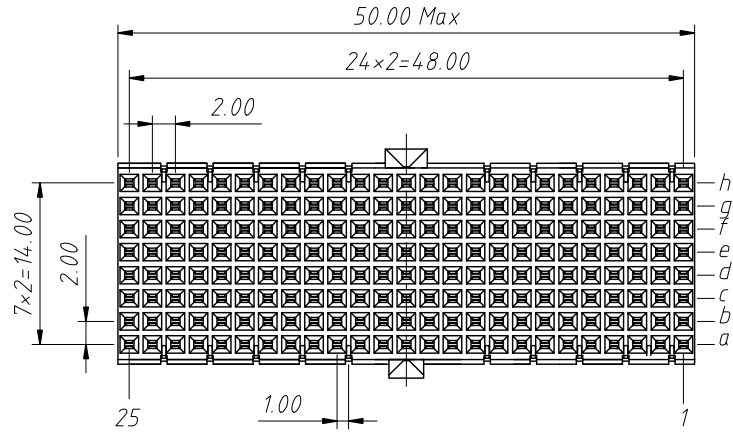
Material:
Housing: Thermoplastic Polyester Glass Filled, UL 94V-0
Contacts: Copper Alloy

Electrical Characteristics:
Current Rating: 1 AMP.
Dielectric Withstanding Voltage:
AC 750V For 1 minute
Insulator Resistance: 10000MΩ min at DC 500V
Contact Resistance: 20mΩ max at DC 100mA.
Operating Temperature: -55°C ~ +125°C

Order Information:
L-KLS1-HBC-DEF-200-0-10
L: RoHS
Housing D Type
M=Male F=Female
No. of 200 Pins
Shielded:
0: None Shielded
1: With Top Body Shielded
Plating: 10=Au 10u"

ANGLE TOLERANCE	PROJECTION	Description:	2mm Hard Metric Connector 200 Pos Press-Fit DE25 Female	
±3°				
GENERAL TOLERANCE	UNITS	mm	KLS P/N:	L-KLS1-HBC-DEF-200-0-10
x ±0.5	SHEET SIZE	A4		
x.x ±0.25	Draw:	Daniel	2023-05-16	NingBo KLS ELECTRONIC CO.,L TD.
x.xx ±0.15	Check:	Daniel	2023-05-16	

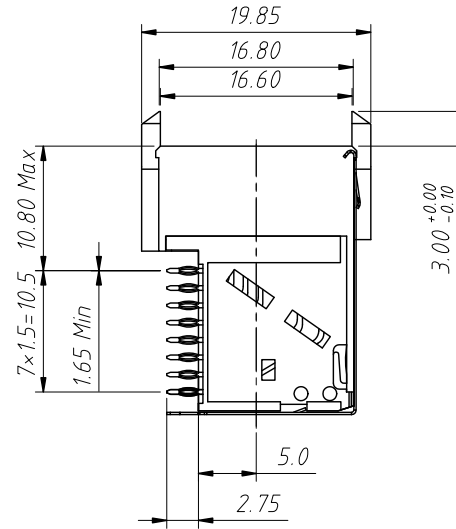
RoHS Compliance



Recommended PCB Layout
Tolerance: ±0.05mm

Material:
Housing: Thermoplastic Polyester Glass Filled, UL 94V-0
Contacts: Copper Alloy

Electrical Characteristics:
Current Rating: 1 AMP.
Dielectric Withstanding Voltage:
AC 750V For 1 minute
Insulator Resistance: 10000MΩ min at DC 500V
Contact Resistance: 20mΩ max at DC 100mA.
Operating Temperature: -55°C ~ +125°C



With Top Body Shielded

Order Information:
L-KLS1-HBC-DEF-200-1-10
L: RoHS
Housing D Type
M=Male F=Female
No. of 200 Pins
Shielded:
0: None Shielded
1: With Top Body Shielded
Plating: 10=Au 10u"

ANGLE TOLERANCE	PROJECTION	Description:	2mm Hard Metric Connector 200 Pos Press-Fit DE25 Female	
±3°				
GENERAL TOLERANCE	UNITS	mm	KLS P/N: L-KLS1-HBC-DEF-200-1-10	
x ±0.5	SHEET SIZE	A4	NingBo KLS ELECTRONIC CO.,LTD.	
x.x ±0.25	Draw:	Daniel		2023-05-16
x.xx ±0.15	Check:	Daniel		2023-05-16