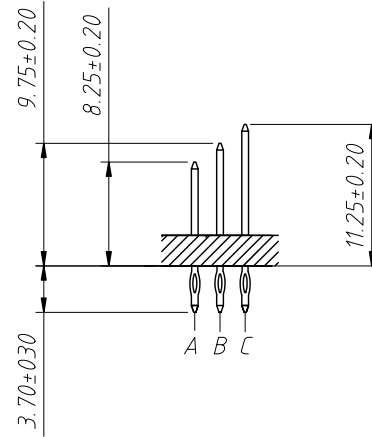
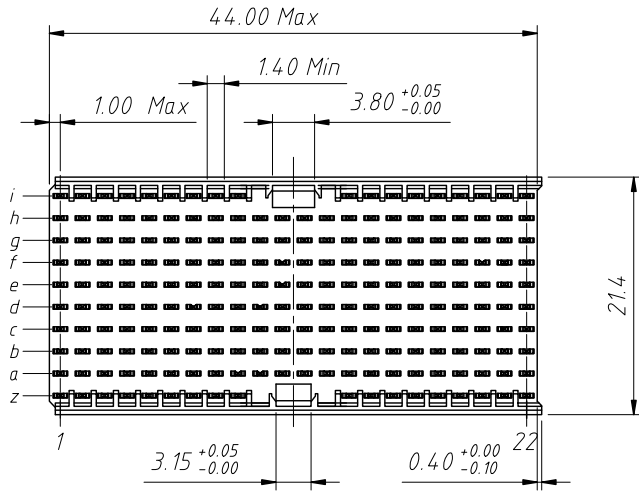
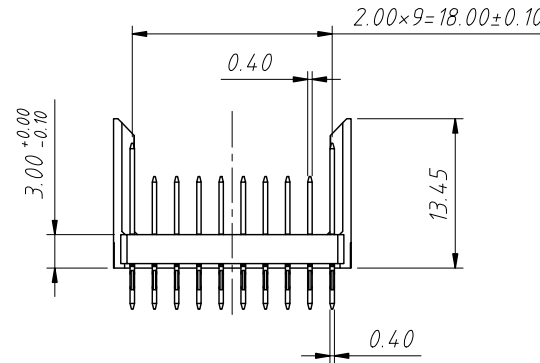
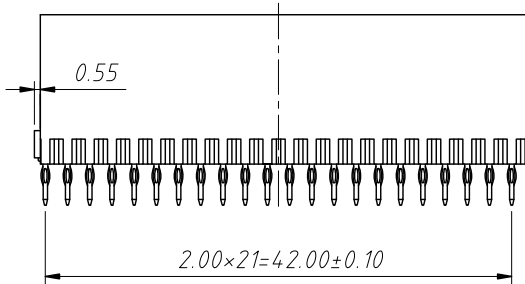


RoHS Compliance

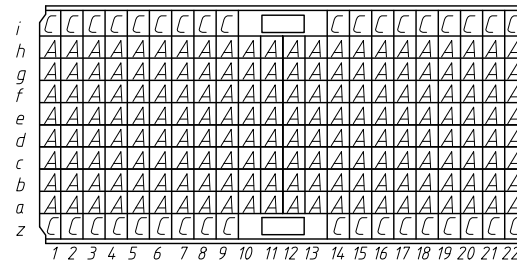
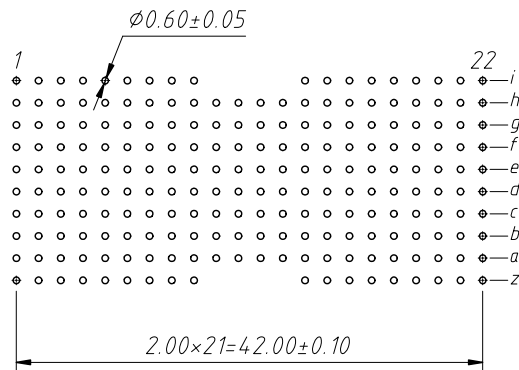


Material:
 Housing:PBT,Bcigc,UL 94 V-0.
 Contacts:Brass
 Terminal: Au+Pd/Ni or Gold Plated on Contact Area
 and 80u" Tin Plated Solder Tail over Nickel 50u"

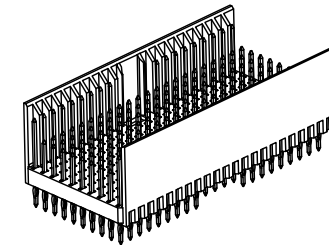
Electrical Characteristics:
 Current Rating:1 AMP.
 Dielectric Withstanding Voltage:
 AC 750V For 1 minute
 Insulator Resistance:10000MΩ min at DC 500V
 Contact Resistance:20mΩ max.at DC 100mA.
 Operating Temperature:-55°C ~ +125°C



Order Information:
 L-KLS1-HBC-DEM-212-1A-1-10
 L: RoHS
 Housing D Type
 M=Male F=Female
 No. of 212 Pins
 Pin:Composite code
 Plating:10=Au 10u"



Contact Layout



Recommended PCB Layout
 Tolerance:±0.05mm

ANGLE TOLERANCE	PROJECTION	Description:	2mm Hard Metric Connector 212 Pos Press-Fit DE22 Male
±3°			
GENERAL TOLERANCE	UNITS	mm	KLS P/N:
x ±0.5	SHEET SIZE	A4	L-KLS1-HBC-DEM-212-1A-1-10
x.x ±0.25	Draw:	Daniel	2023-05-16
x.xx ±0.15	Check:	Daniel	2023-05-16



NingBo KLS ELECTRONIC CO.,LTD.